



Displays that deliver, no matter the message.

Professional LCD Displays





Deliver your message with maximum impact, no matter where you're delivering it. Samsung professional LCD displays offer a solution for every situation. Whether you want to reach people in a hotel lobby or in a packed arena, whether it's in a quiet restaurant or on a busy street corner, Samsung displays are engineered for maximum impact in every situation. We pour billions of dollars into R&D each year, creating innovative technologies that deliver incomparable images, easy-to-use features, economical solutions and critical reliability. They're professional communication displays that will deliver your message. No matter where, no matter what.



# Samsung Professional LCD Displays

Samsung professional LCD displays are engineered for maximum performance and reliability. The better your displays look, the better you look. No matter what your application, there's a Samsung display that's perfect for you.

## UX(n) Series Displays

400UX, 400UXn, 460UX, 460UXn

Utilizes an ultra-thin bezel for virtually seamless video walls. Its DID panel enables higher brightness and longer operation.

### High Ambient Light Conditions

**Indoor Entertainment Venues:** Indoor stadiums, auditoriums, digital movie theaters, civic centers, convention centers, museums, parks, hotel lobbies, bars, casinos, clubs

**Indoor Retail/Signage/Billboard:** Point of Sale (POS) displays or in-store TVs at convenience stores, book stores, movie theaters, quick-serve restaurants, grocery stores, coffee shops, pharmacies, department stores and shopping malls

**Outdoor:** Marquees, gas pumps, other outdoor signage

**Transportation:** FIDs, multi-use informational displays at airports, railway and bus stations, fixed highway stations

**Financial Exchange:** Stock, commodity, currency and other financial exchange establishments



## DX(n) Series Displays

400DX, 400DXn, 460DX, 460DXn, 520DX, 520DXn, 570DX, 570DXn, 700DXn, 820DXn

Designed for users requiring a robust set of features, with impressive technology such as the thin bezel and the DID panel, enabling higher brightness and longer operation.

### High Ambient Light Conditions

**Indoor Entertainment Venues:** Indoor stadiums, auditoriums, digital movie theaters, civic centers, convention centers, museums, parks, hotel lobbies, bars, casinos, clubs

**Indoor Retail/Signage/Billboard:** Point of Sale (POS) displays or in-store TVs at convenience stores, book stores, movie theaters, quick-serve restaurants, grocery stores, coffee shops, pharmacies, department stores and shopping malls

**Outdoor:** Marquees, gas pumps, other outdoor signage

**Control Room Simulation:** High-performance military applications, simulators for training and entertainment

Airline	Arrivals	Time	Flight	Gate	Status
Midwest	Minneapolis	12:16a	2232	N26	delayed
Canadian	Los Angeles	4:08p	1717	K9	on time
United	Seattle	5:15	154	P9	on time
Delta	Los Angeles	8:11	2121	L9	on time
American	Sacramento	12:41p	5662	Q1	delayed
United	Seattle	10:02	2184	Q7	on time
Continental	San Francisco	4:18	818	H5	on time
American	San Francisco	3:04	820	E6	on time
Delta	Burbank	1:32	2233	R8	on time

## CX(n) Series Displays

400CX, 400CXn, 460CX, 460CXn

Created for those environments that require a professional TV product with built-in speakers designed for long hours of use with a consumer look and feel.

**Indoor Entertainment Venues:** Indoor stadiums, auditoriums, digital movie theaters, civic centers, convention centers, museums, parks, hotel lobbies, bars, casinos, clubs

**Education:** Classroom applications at universities, colleges and other schools

**Indoor Retail/Signage/Billboard:** Point of Sale (POS) displays or in-store TVs at convenience stores, book stores, movie theaters, quick-serve restaurants, grocery stores, coffee shops, pharmacies, department stores and shopping malls



## MP(n) Series Displays

320MP, 400MP, 400MPn, 460MP, 460MPn

For demanding commercial applications requiring greater flexibility, enhanced display management and improved screen performance.

**Indoor Entertainment Venues:** Indoor stadiums, auditoriums, digital movie theaters, civic centers, convention centers, museums, parks, hotel lobbies, bars, casinos, clubs

**Education:** Classroom applications at universities, colleges and other schools

**Rental & Staging:** Rental and transportable displays for staging, concerts, trade shows and other events



## FP(n) Series Displays

400FP, 400FPn

For demanding commercial applications requiring greater flexibility, enhanced display management and improved screen performance with 1080p full HD support.

**Indoor Entertainment Venues:** Indoor stadiums, auditoriums, digital movie theaters, civic centers, convention centers, museums, parks, hotel lobbies, bars, casinos, clubs

**Education:** Classroom applications at universities, colleges and other schools

**Rental & Staging:** Rental and transportable displays for staging, concerts, trade shows and other events



## FX(n) Series Displays

400FX, 400FXn

A cost-effective, best-in-class solution with slim connectivity and 1080p full HD support.

**Education:** Classroom applications at universities, colleges and other schools

**Conference Rooms:** Conference and training rooms



## MX(n) Series Displays

320MX, 320MXn, 400MX, 400MXn, 460MX, 460MXn

A cost-effective, best-in-class solution with flexible performance that's well-suited to display any type of information.

**Education:** Classroom applications at universities, colleges and other schools

**Conference Rooms:** Conference and training rooms



## Set Back Boxes

SBB-NT, SBB-DT

SBB-NT adds networkability to MX, MP, CX, FX, FP and 520DX series displays, while SBB-DT adds HDTV tuner capability to MXn, MPn, FXn, FPn and 520DXn series displays.





# Versatile Display Control and Content Management



All Samsung network displays feature built-in PCs. Embedded with Windows XP, they offer advanced security and the ability to be controlled remotely. The built-in PC also allows easy content control over your existing network with Samsung MagicInfo™ software. It's a more streamlined solution that means you don't have to run extra PC wires and cables, and installation in any location is made easier.

## Samsung MagicInfo™ Software Solutions

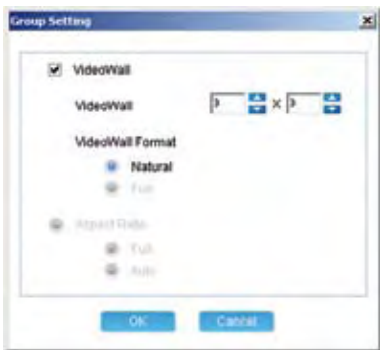
Samsung's goal is to give you the tools you need to perform your job better and easier. We created Samsung MagicInfo™ software to do just that. Built-in MagicInfo™ Pro-Extension and MagicInfo™ i software let you control and detect the conditions of the displays by giving you remote management capability via LAN/WAN. MagicInfo™ offers a powerful Author Tool for user-friendly content development. Open API-based architecture enables customization to meet specific customer needs. And for those who want to integrate their own software solution with MagicInfo™ software, the SDK (System Development Kit) makes it easy.

### MagicInfo™ Pro-Extension

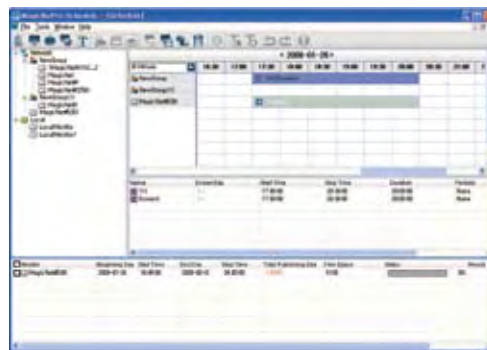
MagicInfo™ Pro-Extension software gives you easier video wall control with greater functionality. You can group a certain number of displays and control their content as one entity. That makes it easy to display different content in different locations, such as on different floors or different areas of a hotel or retail center.

MagicInfo™ Pro-Extension software also gives you RSS feed capability. Display stock market quotes, weather updates, scores and more.

And for greater versatility, you can run linked applications within the original application's window, such as running a video within a PowerPoint presentation.




Simple Video Wall Management



Groups can be Controlled as Single Entities

### MagicInfo™ i

 In addition to all the benefits of MagicInfo™ Pro-Extension software, MagicInfo™ i offers a more user-friendly drag-and-drop content development tool.

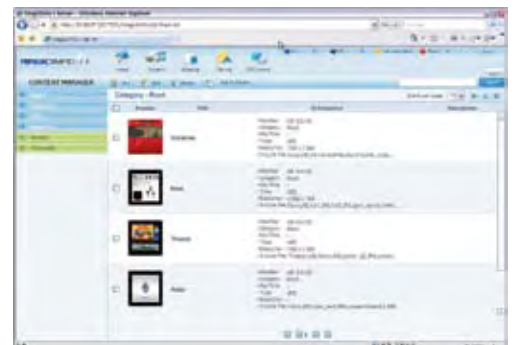
MagicInfo™ i is also a web-based server, offering several significant advantages. You can access the server and control your displays from anywhere. You can upload content from anywhere.



Web-based Server



Drag-and-drop User Interface



Easy Content Development



# Extended Operation, Consistent Performance

515	154	P9	on time
811	2121	L9	on time
1241	5662	Q1	delayed
1002	2184	Q7	on time
418	818	H5	on time
304	820	E6	on time
132	2233	R8	on time

Port Arrivals



Time	Flight	Gate	Status
9:50a	918	C5	on time
3:33p	711	E12	on time
4:42a	2102	F5	on time
6:21a	5332	C14	on time
11:12a	119	A18	delayed
10:47p	1865	D6	on time
3:14a	5806	B21	delayed
9:05a	323	J17	delayed
10:22p	444	N10	on time

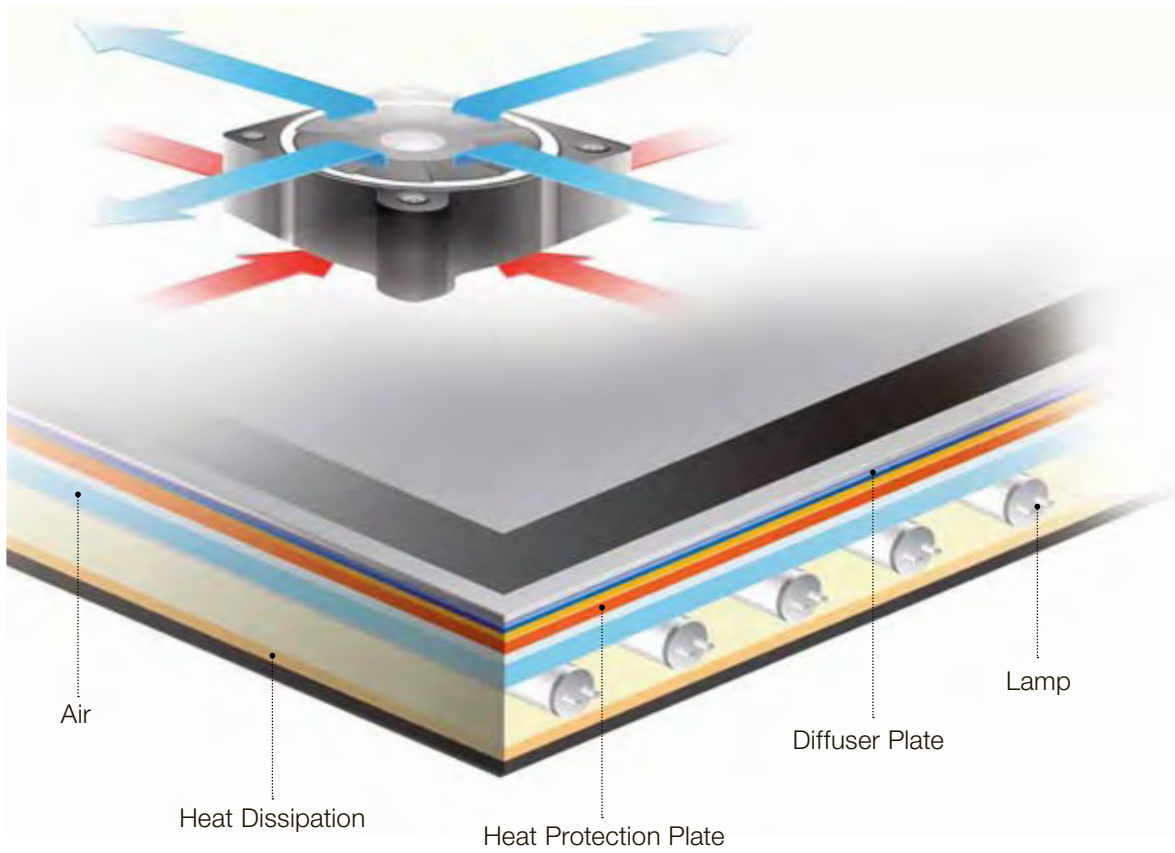
Port Arrivals



Time	Flight	Gate	Status
4:19p	1577	D4	on time
8:03p	1732	E1	on time
8:55a	1549	F22	delayed
5:17p	5384	D15	on time
1:23a	900	E3	on time
7:14a	1316	D17	on time
1:45a	1822	E6	delayed
12:12p	554	A3	delayed
9:01p	230	A9	on time



When you invest in a premium information display, you don't want to have to replace it anytime soon. That's why we engineered advanced, long-life cooling technologies into our DID panels, found in our UX/UXn, UXn-M, UXn-UD, UTn-M, DX/DXn, TSn (touch screen), DR/DRn (high brightness) and DRn-A (high brightness with housing) displays.



No Mura Effect from Localized Heat



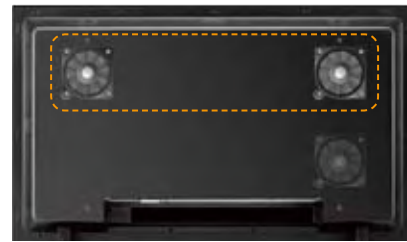
No Image Retention



No Burn-in



Vertical Operation



Horizontal Operation

## Advanced Cooling Design for Extended Operation and Longer Life

You can run your Samsung DID display 24 hours a day, without worrying about reliability. Internal operating temperatures run cooler, meaning longer run times and longer component life. A heat protection plate between the lamp and LCD panel protects the panel from heat. A heat dissipation plate behind the lamp eliminates hotspots. An increased gap between the lamp and diffuser plate improves airflow. The built-in fans aid airflow, and dust filtration prevents heat-trapping dust build-up.

## Anti-Image Retention Technologies

Four different types of anti-image retention can be set to be activated automatically throughout the day, helping to contribute to longer panel life.



## Built-in Fan

Typical displays force you to choose either vertical or horizontal operation. Samsung installs three fans, to give you the option of a horizontal or vertical display, while always providing maximum cooling.

## Temperature Control

A user-adjustable temperature control protects your Samsung display. Set the temperature control, and if the temperature gets too high, the display automatically turns off.

## Innovative Power Savings

Samsung's DPMS (Digital Power Management System) mode is economical and ecologically friendly. MX/MXn models use just 5W of energy, and only 2W in Energy Saving mode. DX/DXn models use just 2W, and only 1W in Energy Saving mode.



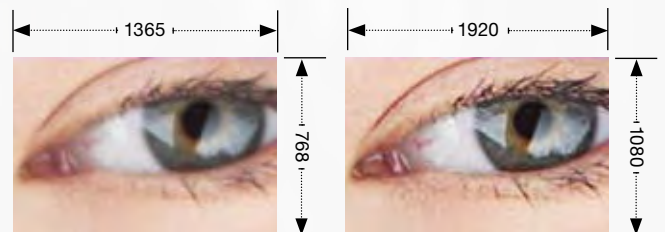


## Superior Pictures Through Superior Technologies



### Stunning Full HD 1080p

Full HD 1080p support gives you the highest resolution digital images available. Images displayed at 1920 x 1080 employ 1.5 times more scanning lines than conventional HD resolution, and are twice the resolution of standard HD.



### HD Ready

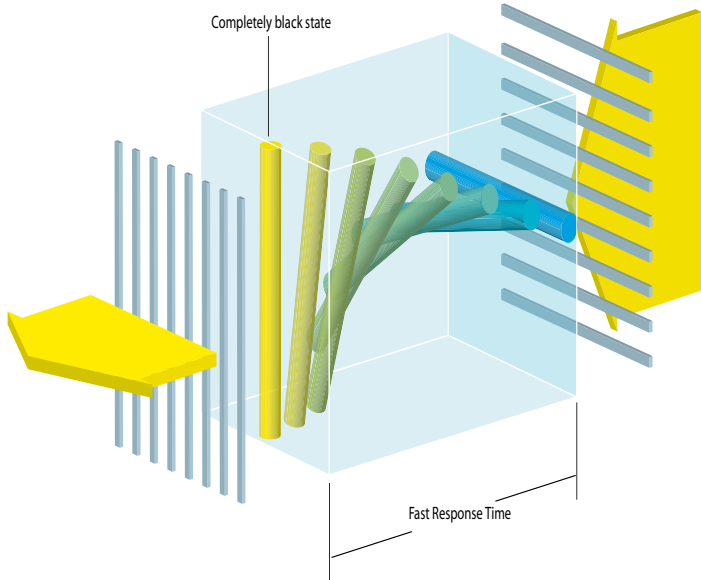
The first thing you'll notice about Samsung HD displays is the exceptional clarity on a wide screen. With Samsung's cutting-edge technologies, HD displays deliver incredible, razor-sharp images.

### Ambient Light Sensor

Samsung displays can measure the room's ambient light, then adjust for a continually optimized picture.

# S-PVA Technology

This exclusive Samsung technology is another reason we're the number one display manufacturer in the world. Our S-PVA (Super Patterned multiple domain Vertical Alignment) technology enables superior contrast, excellent response time and excellent transmittance. S-PVA splits the cells and incorporates two TFTs per cell, as opposed to the industry standard of one TFT per cell. The result is the most accurate color reproduction from any angle.



Nearly perfect vertical alignment of the liquid crystal results in extremely fast response to voltage. It also produces a completely black state, yielding a very high contrast ratio.

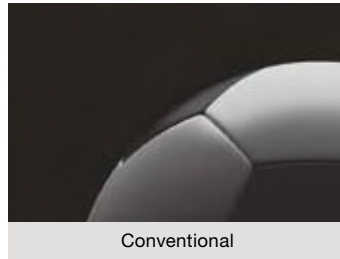


Extremely narrow domain boundaries increase cell aperture ratio, which allows more light to pass and increases brightness.



## Dynamic Contrast

With dynamic contrast, the display analyzes picture input signals and continually adjusts the lamp's intensity to provide optimum contrast. The result is brighter brights without blowing out the whites, and richer, deeper blacks that hold and display fine detail.



Conventional



Samsung

## Fast Response Times

Super-fast response times eliminate ghosting, smearing and trailing. Moving type and motion graphics will always be sharp, clear, precise and compelling.



Conventional



Samsung

## High Brightness Levels

With high brightness levels, Samsung LCD displays can be clearly seen, delivering your message even in brightly lit indoor or outdoor areas.



Conventional



Samsung



# Professional LCD Displays With Built-In TV Tuner

Samsung CX and CXn displays are professional displays. They offer features that consumer TVs typically don't need, and are built to deliver reliable high performance even under the harshest conditions.



## Commercial Durability

Samsung commercial displays are designed for continuous use. They feature anti burn-in and anti image-retention circuits to minimize the possibility of static images damaging the unit. They also have a much higher MTBF (3x) or 50,000 hours for all circuitry. Their enhanced life expectancy is due to innovative cooling and dust prevention improvements that enhance ventilation.

## Commercial Input Options

Samsung commercial displays feature an industry standard RS-232 external control/connector interface.

## Picture Calibrated to Commercial Inputs

Samsung commercial displays are designed to integrate with personal computers first and consumer television sources second. In these units, the LCD backlight covers a wider spectrum of colors that is necessary for PC source integration. The internal scaler in commercial displays allows for multiple PC sources and formats that can be used to create a dynamic business environment. They also offer more adjustments in more settings to optimize picture quality versus consumer displays. The processor also produces a full grayscale with linear color tracking of all signals from black to white. This ensures that the color and brightness is adjustable across a wider range.

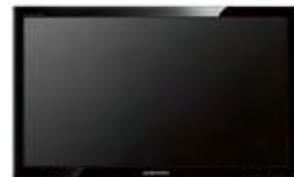
## Enhanced Security

Samsung commercial displays have features to protect the unit, including IR Lock Out. Controls on the front of the display can be locked, while additional buttons for other functions are usually hidden to prevent unauthorized access.



CX/CXn displays deliver top performance, whether mounted vertically or horizontally.

Consumer displays are only designed to be mounted horizontally.



## Flexible Installation

Samsung commercial displays feature the industry standard VESA designed connections, making them compatible with mounting brackets from a wide variety of providers. The units can be orientated in either landscape or portrait mode at any time, which allows for innovative placement possibilities. These units are simple and inexpensive to install.

## Professional Power Supply and Shielding

Samsung commercial displays feature a heavy duty power supply that adapts to varying voltage levels. Displays offer protection from electro magnetic interference (EMI) from other sources such as cell phones or computers, that may disrupt the operation of the unit.

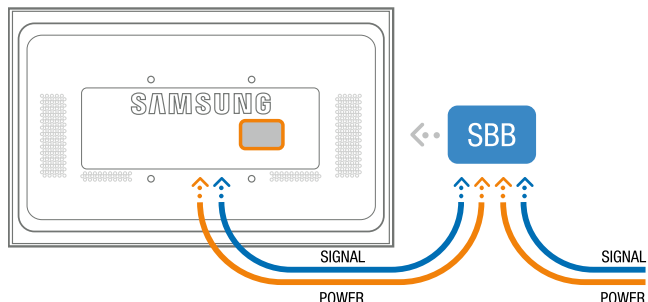
## Longer Warranty

Samsung commercial displays offer 3-year onsite parts and labor warranties.



## SBB-DT

SBB-DT adds HDTV tuner capability to MXn, MPn, FXn, FPn and 520DXn series displays.



## Analog and Digital Tuners



The SBB-DT set back box features built-in analog and digital tuners that let you receive and display 720p and 1080i high-definition television broadcasts. Coaxial and HDMI connections give you all the options you need to pull in all the content you want.



## Caption Support

The more information, the better. With the SBB-DT set top box, you can access and display real-time caption content such as weather reports, stock updates, flight schedules and more.



## SBB-NT

SBB-NT adds networkability to MX, MP, CX, FX, FP and 520DX series displays.

## Instant Networking

Controlling content is even easier when you can do it over your network. Install the SBB-NT set back box, plug the display into your network, and control content with a few simple clicks.



# Expanded Connectivity with Set Back Boxes

Samsung set back boxes give you the option of adding full DTV access or networking capability to your display. Simply attach the module to the back of the set, and you're instantly upgraded.

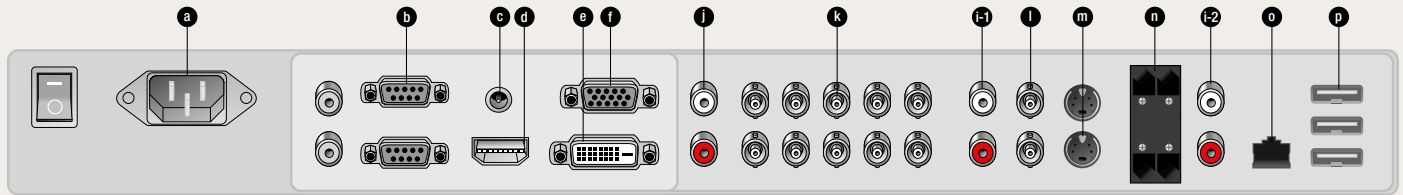




# Versatile Connectivity

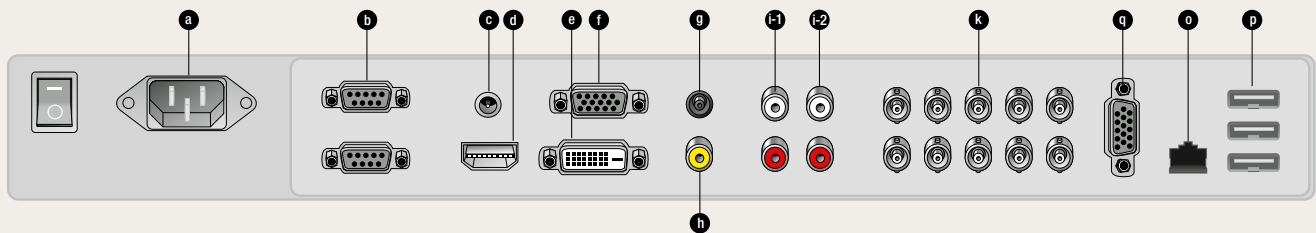
## Enhanced Connectivity with HDMI

Select Samsung displays offer enhanced connectivity, with PC inputs (VGA/DVI/BNC/Ethernet/USB 2.0) and Video inputs (CVBS/HDMI/Component). You can connect a variety of devices, including DVD, PC, audio systems, Ethernet hubs and external memory.



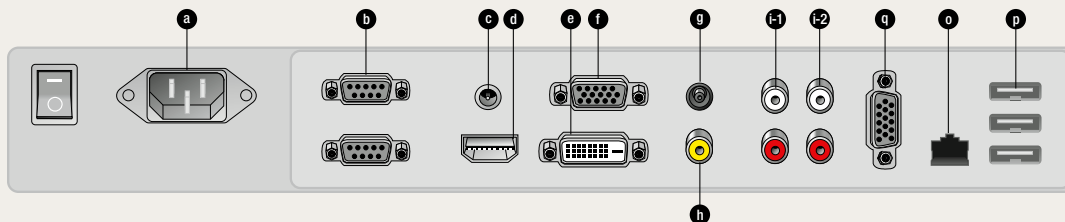
## Full Connectivity with HDMI

Select Samsung displays offer full connectivity, with PC inputs (VGA/DVI/BNC) and Video inputs (CVBS/HDMI/Component). You'll have unlimited flexibility in your content source.



## Slim Connectivity with HDMI

Select Samsung displays offer cost-effective slim connectivity with PC inputs (VGA/DVI) and Video inputs (CVBS/HDMI). You get the connections you need, without paying for the ones you don't.

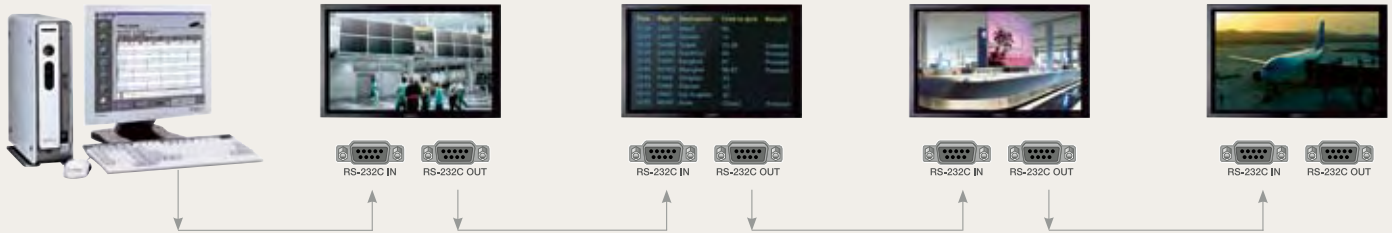


- a. POWER IN** Connect the supplied power cord.
- b. RS-232C**  
**IN:** Used for the MDC function when connecting PC or RS-232C output of another display.  
**OUT:** Used for the MDC function when connecting with RS-232C input of another display.
- c. DVI/PC/HDMI AUDIO IN** Connect to the audio output jack on your PC or DVI. AUDIO is an audio input jack for PC1 and PC2 modes.
- d. HDMI IN** Connect to the HDMI jack of a device with HDMI output. This input can also be used as a DVI connection with separate analog audio inputs. An optional HDMI/DVI cable will be necessary to make this connection. When using an optional HDMI/DVI adapter, the DVI analog audio inputs on your display allow you to receive left and right audio from your DVI device.
- e. DVI IN** Connect to the video output jack of a device with DVI output.
- f. PC IN2** Connect for RGB HV video signal input from the PC. (PC Mode means PC1/PC2 mode using RGB1 [PC1] and RGB2 [PC2].)
- g. DC OUT (5V/1.5A)** Connect this to the power connector of a TV tuner box or network box.
- h. AV (Video) IN** Connect the video terminal of your monitor to the video output terminal of the external device using a video cable.
- i. AV (AUDIO L/R) IN/OUT**  
**i-1 IN:** Video and audio inputs for external devices, such as a camcorder or VCR.  
**i-2 OUT:** Outputs for external devices.
- j. COMPONENT AUDIO IN (L/R)**
- k. BNC/COMPONENT IN/OUT**  
**BNC (Analog PC):** Connects to the R, G, B, H, V ports.  
**Component:** Connects to the PR, Y, PB ports.
- l. AV (VIDEO) OUT/IN**
- m. AV (S-VIDEO) OUT/IN**
- n. EXTERNAL SPEAKERS (L/R)**
- o. Ethernet** Connect to a network hub or plug directly into your LAN/WAN.
- p. USB 2.0** Connect a USB device like a removable storage drive.
- q. RGB OUT** Applicable to MxN, FxN, MPn, CxN and 520DXn displays only.

# Easier Display Control

## Multi Display Control (MDC)

The more control the better, especially when it's easy. The built-in RS-232C interface allows you to control up to 25 displays from your PC with Samsung's MDC software, using the serial port (DB-9) of the display. In addition, MagicInfo™ Pro allows unlimited display control via the network (RJ45 port) controlled by the MagicInfo™ Pro server/PC. Just install the free MDC software supplied, list the units to be controlled, and click on the functions you want to control. It's that simple.



## MDC Software Interface

1. Main Icons: Use the main icons to switch to each screen.
2. Select Button: Click Select All or Clear to select or clear all displays.
3. Display Selection: Select a display from Display Selection.
4. Info Grid: Use Grid to view brief information on selected display.
5. Control Tools: Use Control Tools to control displays.
6. Remocon: Allows you to enable or disable the remote control signal receiving function of the display unit.
7. Title: The current title to be controlled is displayed.
8. Comm. Status: Indicates the communication status between the MDC and the display.

MDC Software Screen Shot



Specifications

UX/UXn

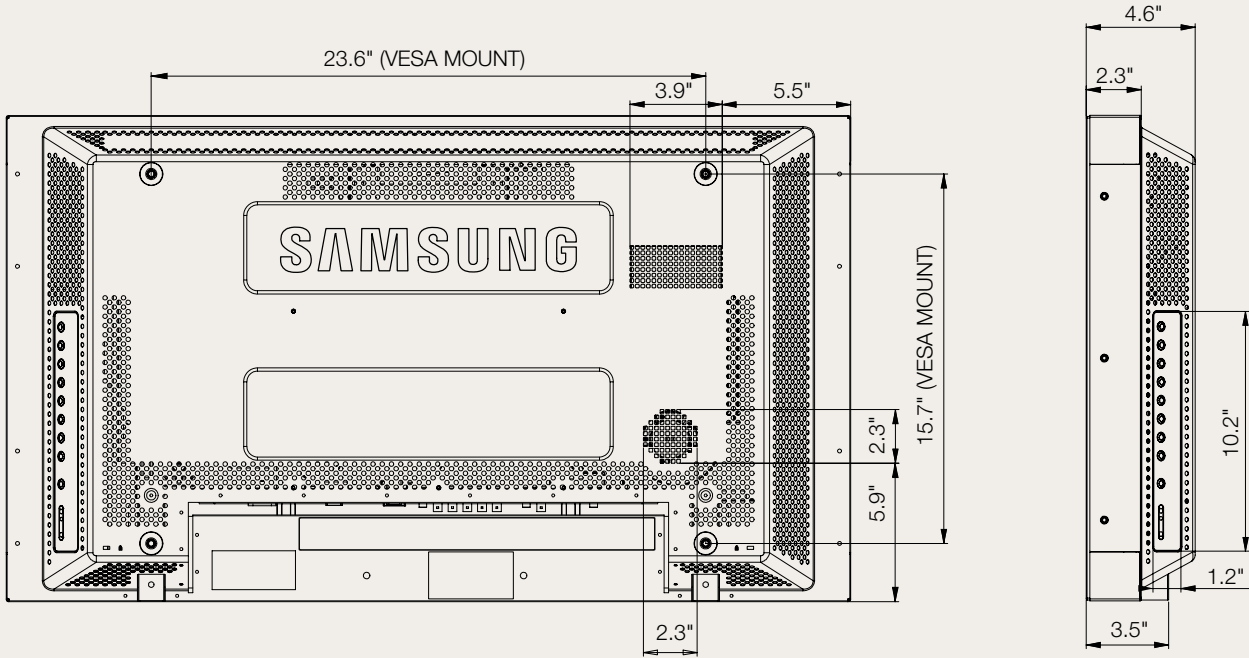


Series	400UX	400UXn	460UX	460UXn
<b>LCD Panel</b>				
Screen Size	40"	40"	46"	46"
Native Resolution	1366 x 768	1366 x 768	1366 x 768	1366 x 768
Supporting Resolution (from PC)	640x350@70Hz, 640x480@60Hz, 720x400@70Hz, 640x480@67Hz, 832x624@75Hz, 1152x870@75Hz, 640x480@73Hz, 75Hz, 800x600@56Hz, 60Hz, 72Hz, 75Hz, 1024x768@60Hz, 70Hz, 75Hz, 1152x864@75Hz, 1280x960@60Hz, 1280x1024@60Hz, 75Hz, 1360x768@60Hz	640x350@70Hz, 640x480@60Hz, 720x400@70Hz, 640x480@67Hz, 832x624@75Hz, 1152x870@75Hz, 640x480@73Hz, 75Hz, 800x600@56Hz, 60Hz, 72Hz, 75Hz, 1024x768@60Hz, 70Hz, 75Hz, 1152x864@75Hz, 1280x960@60Hz, 1280x1024@60Hz, 75Hz, 1360x768@60Hz	640x350@70Hz, 640x480@60Hz, 720x400@70Hz, 640x480@67Hz, 832x624@75Hz, 1152x870@75Hz, 640x480@73Hz, 75Hz, 800x600@56Hz, 60Hz, 72Hz, 75Hz, 1024x768@60Hz, 70Hz, 75Hz, 1152x864@75Hz, 1280x960@60Hz, 1280x1024@60Hz, 75Hz, 1360x768@60Hz	640x350@70Hz, 640x480@60Hz, 720x400@70Hz, 640x480@67Hz, 832x624@75Hz, 1152x870@75Hz, 640x480@73Hz, 75Hz, 800x600@56Hz, 60Hz, 72Hz, 75Hz, 1024x768@60Hz, 70Hz, 75Hz, 1152x864@75Hz, 1280x960@60Hz, 1280x1024@60Hz, 75Hz, 1360x768@60Hz
Brightness (typ.)	700 cd/m <sup>2</sup>	700 cd/m <sup>2</sup>	700 cd/m <sup>2</sup>	700 cd/m <sup>2</sup>
Contrast Ratio (Typ./Dynamic)	2000:1 / 5000:1	2000:1 / 5000:1	2000:1 / 5000:1	2000:1 / 5000:1
Response Time	8ms	8ms	8ms	8ms
Viewing Angle (H/V)	178°/178°	178°/178°	178°/178°	178°/178°
<b>MTBF</b>				
MTBF	50,000 hrs	50,000 hrs	50,000 hrs	50,000 hrs
<b>PC Connectivity</b>				
VGA 15-pin D-Sub In (x1)	■	■	■	■
BNC In/Out (x3 / x3)	■/■	■/■	■/■	■/■
DVI-D (x 1)	■	■	■	■
<b>Video Connectivity</b>				
HDMI (x 1)	■	■	■	■
Component In/Out (x 5/ x 5)	■/■	■/■	■/■	■/■
CVBS (AV) In/Out (x 1/ x 1)	■/■	■/■	■/■	■/■
S-Video In/Out (x 1 / x 1)	■/■	■/■	■/■	■/■
<b>TV Tuner</b>				
CI slot (x 1)	□	□	□	□
ANT In (x 1)	□	□	□	□
<b>Audio Connectivity</b>				
DVI/PC/BNC Audio In/Out (Mini Stereo 3.5mm L-R x 1/ x 1)	■/□	■/□	■/□	■/□
Component Audio In/Out (RCA x 1/ x1)	■/□	■/□	■/□	■/□
CVBS (AV) Audio In/Out (Mini Stereo 3.5mm L-R x 1/ x 1)	■/■	■/■	■/■	■/■
External Speaker Out (L-R x 2)	■	■	■	■
Integrated Speakers	□	□	□	□
<b>Network Connectivity</b>				
RS232C In/Out (x 1/ x 1)	■/■	■/■	■/■	■/■
Remote In/Out (x 1/ x 1)	■/■	■/■	■/■	■/■
VGA 15-pin D-Sub Out (x 1)	□	□	□	□
USB 2.0 (x3) (only network model)	□	■	□	■
LAN (x 1) (only network model)	□	■	□	■
Built-in PC (only network model)	□	■	□	■
Embedded S/W (only network model)	□	■ MagicInfo Pro-Extension	□	■ MagicInfo Pro-Extension
DTV SBB (SetBack Box) Option (SBB-DT)	□	□	□	□
Network SBB (SetBack Box) Option (SBB-NT) (only non-network model)	□	□	□	□
<b>Mechanical Specs</b>				
Bezel Width	11 mm	11 mm	12.5 mm	12.5 mm
Dimension (w/o stand) (W x H x D)	36.0 x 20.7 x 4.65"	36.0 x 20.7 x 4.65"	41.3 x 23.7 x 4.65"	41.3 x 23.7 x 4.65"
Dimension (w/stand) (W x H x D)	36.0 x 23.0 x 12.2"	36.0 x 23.0 x 12.2"	41.3 x 26.1 x 12.2"	41.3 x 26.1 x 12.2"
Dimension (packaging) (W x H x D)	40.0 x 25.7 x 11.8"	40.0 x 25.7 x 11.8"	45.5 x 28.9 x 12.8"	45.5 x 28.9 x 12.8"
Weight (set/package)	47.4 / 61.7 lbs.	49.6 / 58.4 lbs.	61.1 / 71.0 lbs.	63.9 / 73.9 lbs.
Cabinet Color	Matte Black	Matte Black	Matte Black	Matte Black
Wall Mount	600 x 400 mm	600 x 400 mm	600 x 400 mm	600 x 400 mm
<b>Optional Accessories</b>				
Speakers	N/A	N/A	N/A	N/A
Wall Mount	WMN-5770D	WMN-5770D	WMN-5770D	WMN-5770D
Stand	STN-L3257D	STN-L3257D	STN-L3257D	STN-L3257D
<b>Warranty</b>				
On-site Parts & Labor	3 Years	3 Years	3 Years	3 Years
<b>Green Management</b>				
Emission Standard	EMC	EMC	EMC	EMC
RoHS Compliant	■	■	■	■
Energy Star	■	■	■	■
Product Recyclability	CCFL backlight contains mercury, please dispose of properly	CCFL backlight contains mercury, please dispose of properly	CCFL backlight contains mercury, please dispose of properly	CCFL backlight contains mercury, please dispose of properly
Packaging Recyclability	Packing materials recyclable	Packing materials recyclable	Packing materials recyclable	Packing materials recyclable

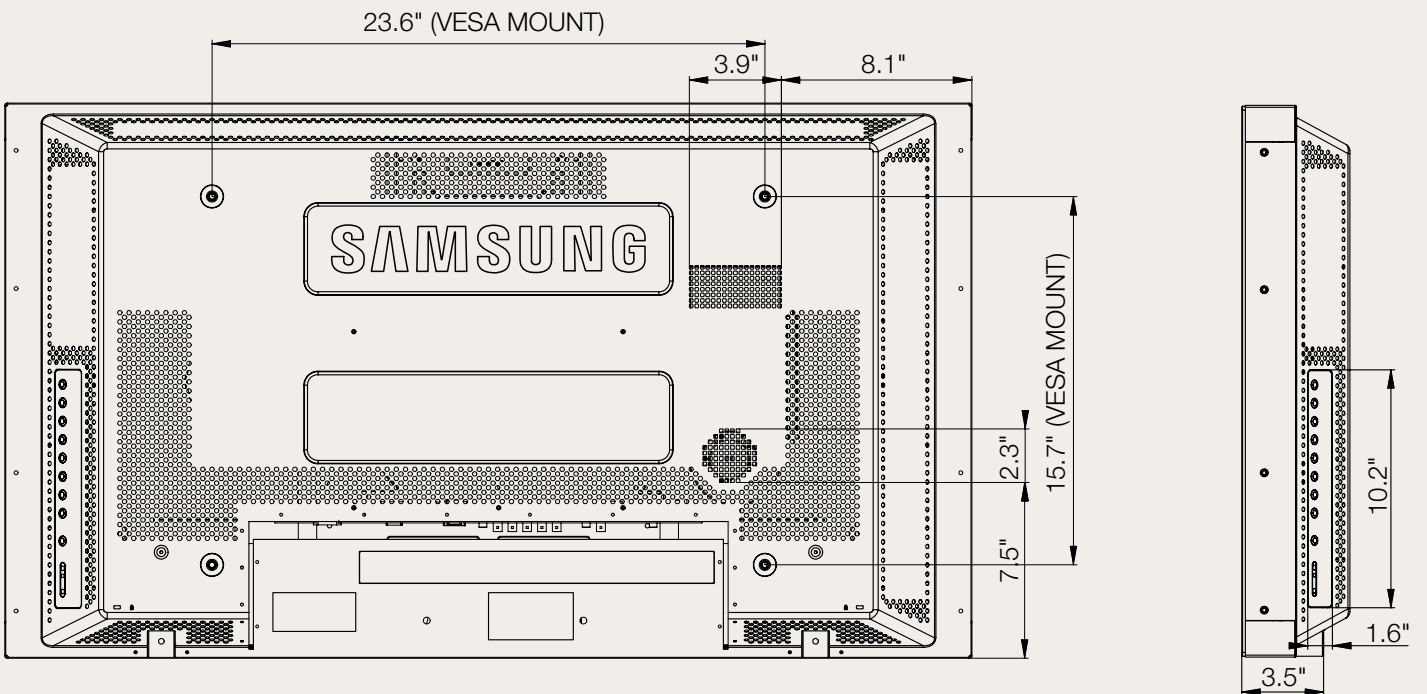
■ Available □ Not Available



400UX(n)

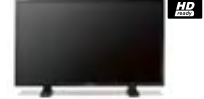


460UX(n)



Specifications

DX/DXn



Series	400DX	400DXn	460DX
<b>LCD Panel</b>			
Screen Size	40"	40"	46"
Native Resolution	1366 x 768	1366 x 768	1366 x 768
Supporting Resolution (from PC)	640x350@70Hz, 640x480@60Hz, 720x400@70Hz, 640x480@67Hz, 832x624@75Hz, 1152x870@75Hz, 640x480@73Hz, 75Hz, 800x600@56Hz, 60Hz, 72Hz, 75Hz, 1024x768@60Hz, 70Hz, 75Hz, 1152x864@75Hz, 1280x960@60Hz, 1280x1024@60Hz, 75Hz, 1360x768@60Hz	640x350@70Hz, 640x480@60Hz, 720x400@70Hz, 640x480@67Hz, 832x624@75Hz, 1152x870@75Hz, 640x480@73Hz, 75Hz, 800x600@56Hz, 60Hz, 72Hz, 75Hz, 1024x768@60Hz, 70Hz, 75Hz, 1152x864@75Hz, 1280x960@60Hz, 1280x1024@60Hz, 75Hz, 1360x768@60Hz	640x350@70Hz, 640x480@60Hz, 720x400@70Hz, 640x480@67Hz, 832x624@75Hz, 1152x870@75Hz, 640x480@73Hz, 75Hz, 800x600@56Hz, 60Hz, 72Hz, 75Hz, 1024x768@60Hz, 70Hz, 75Hz, 1152x864@75Hz, 1280x960@60Hz, 1280x1024@60Hz, 75Hz, 1360x768@60Hz
Brightness (typ.)	700 cd/m <sup>2</sup>	700 cd/m <sup>2</sup>	700 cd/m <sup>2</sup>
Contrast Ratio (Typ./Dynamic)	2000:1 / 5000:1	2000:1 / 5000:1	2000:1 / 5000:1
Response Time	8ms	8ms	8ms
Viewing Angle (H/V)	178°/178°	178°/178°	178°/178°
<b>MTBF</b>			
MTBF	50,000 hrs	50,000 hrs	50,000 hrs
<b>PC Connectivity</b>			
VGA 15-pin D-Sub In (x1)	■	■	■
BNC In/Out (x3 / x3)	■/■	■/■	■/■
DVI-D (x 1)	■	■	■
<b>Video Connectivity</b>			
HDMI (x 1)	■	■	■
Component In/Out (x 5/ x 5)	■/■	■/■	■/■
CVBS (AV) In/Out (x 1/ x 1)	■/■	■/■	■/■
S-Video In/Out (x 1 / x 1)	■/■	■/■	■/■
<b>TV Tuner</b>			
CI slot (x 1)	□	□	□
ANT In (x 1)	□	□	□
<b>Audio Connectivity</b>			
DVI/PC/BNC Audio In/Out (Mini Stereo 3.5mm L-R x 1/ x 1)	■/□	■/□	■/□
Component Audio In/Out (RCA x 1/ x1)	■/□	■/□	■/□
CVBS (AV) Audio In/Out (Mini Stereo 3.5mm L-R x 1/ x 1)	■/■	■/■	■/■
External Speaker Out (L-R x 2)	■	■	■
Integrated Speakers	□	□	□
<b>Network Connectivity</b>			
RS232C In/Out (x 1/ x 1)	■/■	■/■	■/■
Remote In/Out (x 1/ x 1)	■/■	■/■	■/■
VGA 15-pin D-Sub Out (x 1)	□	□	□
USB 2.0 (x3) (only network model)	□	■	□
LAN (x 1) (only network model)	□	■	□
Built-in PC (only network model)	□	■	□
Embedded S/W (only network model)	□	■ MagicInfo Pro-Extension	□
DTV SBB (SetBack Box) Option (SBB-DT)	□	□	□
Network SBB (SetBack Box) Option (SBB-NT) (only non-network model)	□	□	□
<b>Mechanical Specs</b>			
Bezel Width	20 mm	20 mm	20 mm
Dimension (w/o stand) (W x H x D)	36.7 x 21.6 x 5.12"	36.7 x 21.6 x 5.12"	42.0 x 25.6 x 5.12"
Dimension (w/stand) (W x H x D)	36.7 x 23.8 x 12.2"	36.7 x 23.8 x 12.2"	42.0 x 26.8 x 12.2"
Dimension (packaging) (W x H x D)	41.0 x 26.3 x 12.2"	41.0 x 26.3 x 12.2"	46.9 x 30.0 x 12.0"
Weight (set/package)	52.2 / 62.8 lbs.	55.1 / 65.7 lbs.	66.1 / 82.8 lbs.
Cabinet Color	Matte Black	Matte Black	Matte Black
Wall Mount	600 x 400 mm	600 x 400 mm	600 x 400 mm
<b>Optional Accessories</b>			
Speakers	SP-L400DB	SP-L400DB	SP-L460DB
Wall Mount	WMN-5770D	WMN-5770D	WMN-5770D
Stand	Included	Included	Included
<b>Warranty</b>			
On-site Parts & Labor	3 Years	3 Years	3 Years
<b>Green Management</b>			
Emission Standard	EMC	EMC	EMC
RoHS Compliant	■	■	■
Energy Star	■	■	■
Product Recyclability	CCFL backlight contains mercury, please dispose of properly	CCFL backlight contains mercury, please dispose of properly	CCFL backlight contains mercury, please dispose of properly
Packaging Recyclability	Packing materials recyclable	Packing materials recyclable	Packing materials recyclable

■ Available □ Not Available





460DXn	520DX	520DXn	570DX
46"	52"	52"	57"
1366 x 768	1920 x 1080	1920 x 1080	1920 x 1080
640x350@70Hz, 640x480@60Hz, 720x400@70Hz, 640x480@67Hz, 832x624@75Hz, 1152x870@75Hz, 640x480@73Hz, 75Hz, 800x600@56Hz, 60Hz, 60Hz, 72Hz, 75Hz, 1024x768@60Hz, 70Hz, 75Hz, 1152x864@75Hz, 1280x960@60Hz, 1280x1024@60Hz, 75Hz, 1360x768@60Hz	640x350@70Hz, 640x480@60Hz, 720x400@70Hz, 640x480@67Hz, 832x624@75Hz, 1152x870@75Hz, 640x480@73Hz, 75Hz, 800x600@56Hz, 60Hz, 72Hz, 75Hz, 848x480@60Hz, 1024x768@60Hz, 70Hz, 75Hz, 1152x864@75Hz, 1280x768@60Hz, 1280x960@60Hz, 1280x1024@60Hz, 1280x1024@75Hz, 1360x768@60Hz, 1600x1200@60Hz, 1920x1080@60Hz	640x350@70Hz, 640x480@60Hz, 720x400@70Hz, 640x480@67Hz, 832x624@75Hz, 1152x870@75Hz, 640x480@73Hz, 75Hz, 800x600@56Hz, 60Hz, 72Hz, 75Hz, 848x480@60Hz, 1024x768@60Hz, 70Hz, 75Hz, 1152x864@75Hz, 1280x768@60Hz, 1280x960@60Hz, 1280x1024@60Hz, 1280x1024@75Hz, 1360x768@60Hz, 1600x1200@60Hz, 1920x1080@60Hz	640x350@70Hz, 640x480@60Hz, 720x400@70Hz, 640x480@67Hz, 832x624@75Hz, 1152x870@75Hz, 640x480@73Hz, 75Hz, 800x600@56Hz, 60Hz, 72Hz, 75Hz, 848x480@60Hz, 1024x768@60Hz, 70Hz, 75Hz, 1152x864@75Hz, 1280x768@60Hz, 1280x960@60Hz, 1280x1024@60Hz, 1280x1024@75Hz, 1360x768@60Hz, 1600x1200@60Hz, 1920x1080@60Hz
700 cd/m <sup>2</sup>	700 cd/m <sup>2</sup>	700 cd/m <sup>2</sup>	600 cd/m <sup>2</sup>
2000:1 / 5000:1	2000:1 / 5000:1	2000:1 / 5000:1	2000:1 / 5000:1
8ms	8ms	8ms	8ms
178°/178°	178°/178°	178°/178°	178°/178°
50,000 hrs	50,000 hrs	50,000 hrs	50,000 hrs
■	■	■	■
■/■	■/■	■/■	■/■
■	■	■	■
■	■	■	■
■/■	■/■	■/■	■/■
■/■	■/□	■/□	■/■
■/■	□/□	□/□	■/■
□	□	□	□
□	□	□	□
■/□	■/□	■/□	■/□
■/□	□/□	□/□	■/□
■/■	■/■	■/■	■/■
■	□	□	■
□	■ (10W x 2)	■ (10W x 2)	□
■/■	■/■	■/■	■/■
■/■	□/□	□/□	■/■
□	□	■	□
■	□	■	□
■	□	■	□
■	□	■	□
■ MagicInfo Pro-Extension	□	■ MagicInfo Pro-Extension	□
□	■	■	□
□	■	■	□
20 mm	22 mm	22 mm	46.5 mm
42.0 x 25.6 x 5.12"	47.7 x 28.1 x 5.40"	47.7 x 28.1 x 5.40"	53.0 x 31.5 x 5.1"
42.0 x 26.8 x 12.2"	47.7 x 30.6 x 12.2"	47.7 x 30.6 x 12.2"	53.0 x 33.7 x 12.2"
46.9 x 30.0 x 12.0"	52.7 x 33.3 x 14.0"	52.7 x 33.3 x 14.0"	58.1 x 37.3 x 17.5"
69.0/ 86.0 lbs.	81.1 /104 lbs.	82.5 /105 lbs.	104 / 126 lbs.
Matte Black	Matte Black	Matte Black	Matte Black
600 x 400 mm	800 x 400 mm	800 x 400 mm	800 x 400 mm
SP-L460DB	Built-in (10W x 2)	Built-in (10W x 2)	SP-L570DB
WMN-5770D	WMN-5770D	WMN-5770D	WMN-5770D
Included	STN-L3257D	STN-L3257D	Included
3 Years	3 Years	3 Years	3 Years
EMC	EMC	EMC	EMC
■	■	■	■
■	■	■	■
CCFL backlight contains mercury, please dispose of properly	CCFL backlight contains mercury, please dispose of properly	CCFL backlight contains mercury, please dispose of properly	CCFL backlight contains mercury, please dispose of properly
Packing materials recyclable	Packing materials recyclable	Packing materials recyclable	Packing materials recyclable

Specifications

DX/DXn

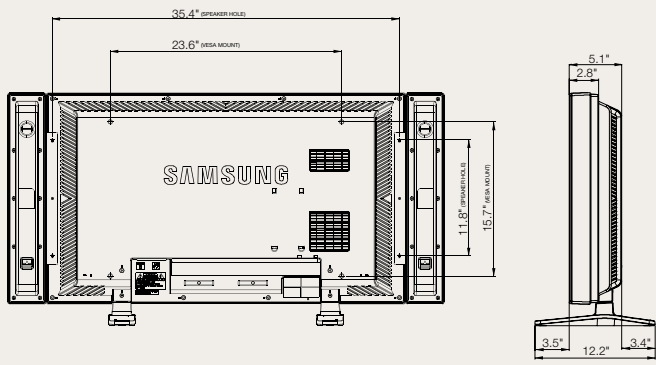


Series	570DXn	700DXn	820DXn
<b>LCD Panel</b>			
Screen Size	57"	70"	82"
Native Resolution	1920 x 1080	1920 x 1080	1920 x 1080
Supporting Resolution (from PC)	640x350@70Hz, 640x480@60Hz, 720x400@70Hz, 640x480@67Hz, 832x624@75Hz, 1152x870@75Hz, 640x480@73Hz, 75Hz, 800x600@56Hz, 60Hz, 72Hz, 75Hz, 848x480@60Hz, 1024x768@60Hz, 70Hz, 75Hz, 1152x864@75Hz, 1280x768@60Hz, 1280x960@60Hz, 1280x1024@60Hz, 1280x1024@75Hz, 1360x768@60Hz, 1600x1200@60Hz, 1920x1080@60Hz	640x350@70Hz, 640x480@60Hz, 720x400@70Hz, 640x480@67Hz, 832x624@75Hz, 1152x870@75Hz, 640x480@73Hz, 75Hz, 800x600@56Hz, 60Hz, 72Hz, 75Hz, 848x480@60Hz, 1024x768@60Hz, 70Hz, 75Hz, 1152x864@75Hz, 1280x768@60Hz, 1280x960@60Hz, 1280x1024@60Hz, 1280x1024@75Hz, 1360x768@60Hz, 1600x1200@60Hz, 1920x1080@60Hz	640x350@70Hz, 640x480@60Hz, 720x400@70Hz, 640x480@67Hz, 832x624@75Hz, 1152x870@75Hz, 640x480@73Hz, 75Hz, 800x600@56Hz, 60Hz, 72Hz, 75Hz, 848x480@60Hz, 1024x768@60Hz, 70Hz, 75Hz, 1152x864@75Hz, 1280x768@60Hz, 1280x960@60Hz, 1280x1024@60Hz, 1280x1024@75Hz, 1360x768@60Hz, 1600x1200@60Hz, 1920x1080@60Hz
Brightness (typ.)	600 cd/m <sup>2</sup>	600 cd/m <sup>2</sup>	600 cd/m <sup>2</sup>
Contrast Ratio (Typ./Dynamic)	2000:1 / 5000:1	1500:1 / 5000:1	2000:1 / 5000:1
Response Time	8ms	8ms	8ms
Viewing Angle (H/V)	178°/178°	178°/178°	178°/178°
<b>MTBF</b>			
MTBF	50,000 hrs	50,000 hrs	50,000 hrs
<b>PC Connectivity</b>			
VGA 15-pin D-Sub In (x1)	■	■	■
BNC In/Out (x3 / x3)	■/■	■/■	■/■
DVI-D (x 1)	■	■	■
<b>Video Connectivity</b>			
HDMI (x 1)	■	■	■
Component In/Out (x 5/ x 5)	■/■	■/■	■/■
CVBS (AV) In/Out (x 1/ x 1)	■/■	■/■	■/■
S-Video In/Out (x 1 / x 1)	■/■	■/■	■/■
<b>TV Tuner</b>			
CI slot (x 1)	□	□	□
ANT In (x 1)	□	□	□
<b>Audio Connectivity</b>			
DVI/PC/BNC Audio In/Out (Mini Stereo 3.5mm L-R x 1/ x 1)	■/□	■/□	■/□
Component Audio In/Out (RCA x 1/ x1)	■/□	■/□	■/□
CVBS (AV) Audio In/Out (Mini Stereo 3.5mm L-R x 1/ x 1)	■/■	■/■	■/■
External Speaker Out (L-R x 2)	■	□	□
Integrated Speakers	□	■ (10W x 2)	■ (10W x 2)
<b>Network Connectivity</b>			
RS232C In/Out (x 1/ x 1)	■/■	■/■	■/■
Remote In/Out (x 1/ x 1)	■/■	■/■	■/■
VGA 15-pin D-Sub Out (x 1)	□	□	□
USB 2.0 (x3) (only network model)	■	■	■
LAN (x 1) (only network model)	■	■	■
Built-in PC (only network model)	■	■	■
Embedded S/W (only network model)	■ MagicInfo Pro-Extension	■ MagicInfo Pro-Extension	■ MagicInfo Pro-Extension
DTV SBB (SetBack Box) Option (SBB-DT)	□	□	□
Network SBB (SetBack Box) Option (SBB-NT) (only non-network model)	□	□	□
<b>Mechanical Specs</b>			
Bezel Width	46.5 mm	55 mm	55 mm
Dimension (w/o stand) (W x H x D)	53.0 x 31.5 x 5.1"	65.7 x 39.0 x 5.4"	75.4 x 44.3 x 5.6"
Dimension (w/stand) (W x H x D)	53.0 x 33.7 x 12.2"	65.7 x 43.1 x 19.7"	75.4 x 48.4 x 19.7"
Dimension (packaging) (W x H x D)	58.1 x 37.3 x 17.5"	71.9 x 53.3 x 24.0"	82.5 x 58.6 x 24.3"
Weight (set/package)	106 / 129 lbs.	229 / 287 lbs.	262 / 340 lbs.
Cabinet Color	Matte Black	Matte Black	Matte Black
Wall Mount	800 x 400 mm	800 x 400 mm	1400 x 800 mm / 900 x 800 mm
<b>Optional Accessories</b>			
Speakers	SP-L570DB	N/A	N/A
Wall Mount	WMN-5770D	WMN-7070	WMN-8270
Stand	Included	Included	Included
<b>Warranty</b>			
On-site Parts & Labor	3 Years	3 Years	3 Years
<b>Green Management</b>			
Emission Standard	EMC	EMC	EMC
RoHS Compliant	■	■	■
Energy Star	■	■	■
Product Recyclability	CCFL backlight contains mercury, please dispose of properly	CCFL backlight contains mercury, please dispose of properly	CCFL backlight contains mercury, please dispose of properly
Packaging Recyclability	Packing materials recyclable	Packing materials recyclable	Packing materials recyclable

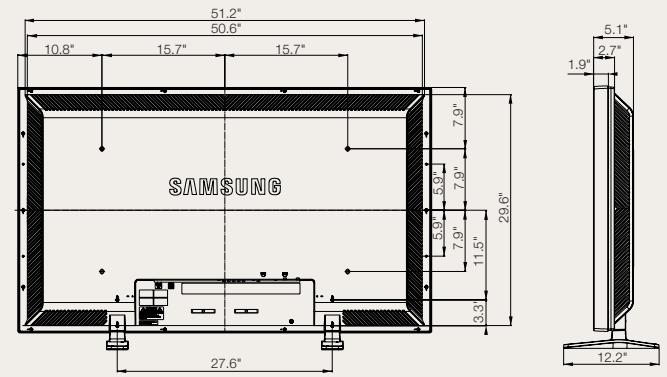
■ Available □ Not Available



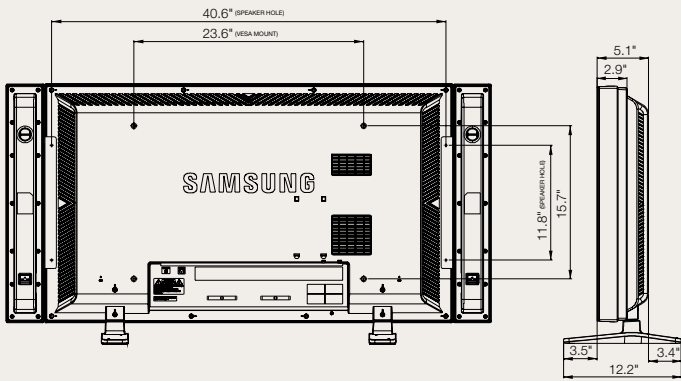
400DX(n)



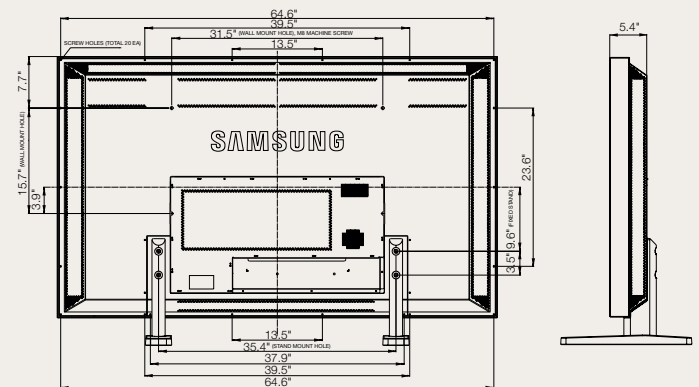
570DX(n)



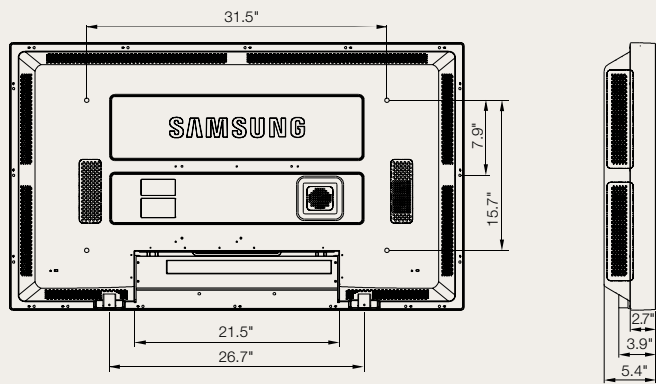
460DX(n)



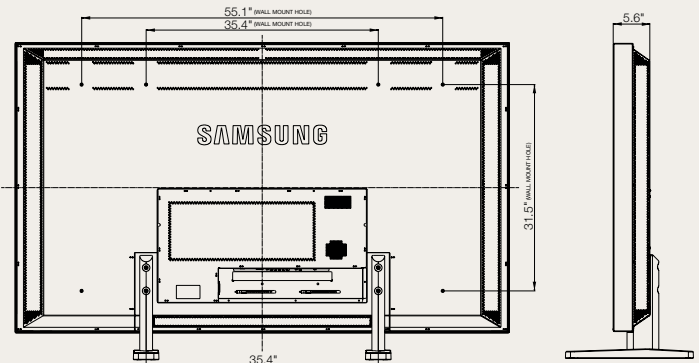
700DXn



520DX(n)

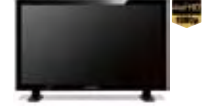


820DXn



Specifications

CX/CXn



Series	400CX	400CXn	460CX	460CXn
<b>LCD Panel</b>				
Screen Size	40"	40"	46"	46"
Native Resolution	1366 x 768	1366 x 768	1920 x 1080	1920 x 1080
Supporting Resolution (from PC)	640x350@70Hz, 640x480@60Hz, 720x400@70Hz, 640x480@67Hz, 832x624@75Hz, 1152x870@75Hz, 640x480@73Hz, 75Hz, 800x600@56Hz, 60Hz, 72Hz, 75Hz, 1024x768@60Hz, 70Hz, 75Hz, 1152x864@75Hz, 1280x960@60Hz, 1280x1024@60Hz, 75Hz, 1360x768@60Hz	640x350@70Hz, 640x480@60Hz, 720x400@70Hz, 640x480@67Hz, 832x624@75Hz, 1152x870@75Hz, 640x480@73Hz, 75Hz, 800x600@56Hz, 60Hz, 72Hz, 75Hz, 1024x768@60Hz, 70Hz, 75Hz, 1152x864@75Hz, 1280x960@60Hz, 1280x1024@60Hz, 75Hz, 1360x768@60Hz	640x350@70Hz, 640x480@60Hz, 720x400@70Hz, 640x480@67Hz, 832x624@75Hz, 1152x870@75Hz, 640x480@73Hz, 75Hz, 800x600@56Hz, 60Hz, 72Hz, 75Hz, 1024x768@60Hz, 70Hz, 75Hz, 1152x864@75Hz, 1280x960@60Hz, 1280x1024@60Hz, 1280x1024@75Hz, 1360x768@60Hz, 1600x1200@60Hz, 1920x1080@60Hz	640x350@70Hz, 640x480@60Hz, 720x400@70Hz, 640x480@67Hz, 832x624@75Hz, 1152x870@75Hz, 640x480@73Hz, 75Hz, 800x600@56Hz, 60Hz, 72Hz, 75Hz, 1024x768@60Hz, 70Hz, 75Hz, 1152x864@75Hz, 1280x960@60Hz, 1280x1024@60Hz, 1280x1024@75Hz, 1360x768@60Hz, 1600x1200@60Hz, 1920x1080@60Hz
Brightness (typ.)	450 cd/m <sup>2</sup>	450 cd/m <sup>2</sup>	450 cd/m <sup>2</sup>	450 cd/m <sup>2</sup>
Contrast Ratio (Typ./Dynamic)	3000:1 / 40,000:1	3000:1 / 40,000:1	3000:1 / 40,000:1	3000:1 / 40,000:1
Response Time	8ms	8ms	8ms	8ms
Viewing Angle (H/V)	178°/178°	178°/178°	178°/178°	178°/178°
<b>MTBF</b>				
MTBF	50,000 hrs	50,000 hrs	50,000 hrs	50,000 hrs
<b>PC Connectivity</b>				
VGA 15-pin D-Sub In (x1)	■	■	■	■
BNC In/Out (x3 / x3)	□/□	□/□	□/□	□/□
DVI-D (x 1)	■	■	■	■
<b>Video Connectivity</b>				
HDMI (x 1)	■	■	■	■
Component In/Out (x 5/ x 5)	□/□	□/□	□/□	□/□
CVBS (AV) In/Out (x 1/ x 1)	■/□	■/□	■/□	■/□
S-Video In/Out (x 1 / x 1)	□/□	□/□	□/□	□/□
<b>TV Tuner</b>				
CI slot (x 1)	■	■	■	■
ANT In (x 1)	■	■	■	■
<b>Audio Connectivity</b>				
DVI/PC/BNC Audio In/Out (Mini Stereo 3.5mm L-R x 1/ x 1)	■/□	■/□	■/□	■/□
Component Audio In/Out (RCA x 1/ x1)	□/□	□/□	□/□	□/□
CVBS (AV) Audio In/Out (Mini Stereo 3.5mm L-R x 1/ x 1)	■/■	■/■	■/■	■/■
External Speaker Out (L-R x 2)	□	□	□	□
Integrated Speakers	■ (10W x 2)	■ (10W x 2)	■ (10W x 2)	■ (10W x 2)
<b>Network Connectivity</b>				
RS232C In/Out (x 1/ x 1)	■/■	■/■	■/■	■/■
Remote In/Out (x 1/ x 1)	□/□	□/□	□/□	□/□
VGA 15-pin D-Sub Out (x 1)	□	□	□	□
USB 2.0 (x3) (only network model)	□	■	□	■
LAN (x 1) (only network model)	□	■	□	■
Built-in PC (only network model)	□	■	□	■
Embedded S/W (only network model)	□	■ MagicInfo Pro-Extension	□	■ MagicInfo Pro-Extension
DTV SBB (SetBack Box) Option (SBB-DT)	□	□	□	□
Network SBB (SetBack Box) Option (SBB-NT) (only non-network model)	■	■	■	■
<b>Mechanical Specs</b>				
Bezel Width	40 mm	40 mm	40 mm	40 mm
Dimension (w/o stand) (W x H x D)	38.2 x 22.9 x 4.69"	38.2 x 22.9 x 4.69"	43.4 x 25.9 x 4.94"	43.4 x 25.9 x 4.94"
Dimension (w/stand) (W x H x D)	38.2 X 25.3 X 12.2"	38.2 X 25.3 X 12.2"	43.4 x 28.2 x 12.2"	43.4 x 28.2 x 12.2"
Dimension (packaging) (W x H x D)	43.6 x 26.2 x 10.0"	43.6 x 26.2 x 10.0"	49.5 x 29.3 x 12.0"	49.5 x 29.3 x 12.0"
Weight (set/package)	42.5 / 49.2 lbs.	46.3 / 52.9 lbs.	52.9 / 68.3 lbs.	62.8 / 78.3 lbs.
Cabinet Color	Piano High Gloss Black	Piano High Gloss Black	Piano High Gloss Black	Piano High Gloss Black
Wall Mount	600 x 400 mm	600 x 400 mm	600 x 400 mm	600 x 400 mm
<b>Optional Accessories</b>				
Speakers	N/A	N/A	N/A	N/A
Wall Mount	WMN-5770D	WMN-5770D	WMN-5770D	WMN-5770D
Stand	STN-L3257D	STN-L3257D	STN-L3257D	STN-L3257D
<b>Warranty</b>				
On-site Parts & Labor	3 Years	3 Years	3 Years	3 Years
<b>Green Management</b>				
Emission Standard	EMC	EMC	EMC	EMC
RoHS Compliant	■	■	■	■
Energy Star	■	■	■	■
Product Recyclability	CCFL backlight contains mercury, please dispose of properly	CCFL backlight contains mercury, please dispose of properly	CCFL backlight contains mercury, please dispose of properly	CCFL backlight contains mercury, please dispose of properly
Packaging Recyclability	Packing materials recyclable	Packing materials recyclable	Packing materials recyclable	Packing materials recyclable

■ Available □ Not Available





Specifications

# MP/MPn



Series	320MP	400MP	400MPn	460MP
<b>LCD Panel</b>				
Screen Size	32"	40"	40"	46"
Native Resolution	1366 x 768	1366 x 768	1366 x 768	1920 x 1080
Supporting Resolution (from PC)	640x350@70Hz, 640x480@60Hz, 720x400@70Hz, 640x480@67Hz, 832x624@75Hz, 1152x870@75Hz, 640x480@73Hz, 75Hz, 800x600@56Hz, 60Hz, 72Hz, 75Hz, 1024x768@60Hz, 70Hz, 75Hz, 1152x864@75Hz, 1280x960@60Hz, 1280x1024@60Hz, 75Hz, 1360x768@60Hz	640x350@70Hz, 640x480@60Hz, 720x400@70Hz, 640x480@67Hz, 832x624@75Hz, 1152x870@75Hz, 640x480@73Hz, 75Hz, 800x600@56Hz, 60Hz, 72Hz, 75Hz, 1024x768@60Hz, 70Hz, 75Hz, 1152x864@75Hz, 1280x960@60Hz, 1280x1024@60Hz, 75Hz, 1360x768@60Hz	640x350@70Hz, 640x480@60Hz, 720x400@70Hz, 640x480@67Hz, 832x624@75Hz, 1152x870@75Hz, 640x480@73Hz, 75Hz, 800x600@56Hz, 60Hz, 72Hz, 75Hz, 1024x768@60Hz, 70Hz, 75Hz, 1152x864@75Hz, 1280x960@60Hz, 1280x1024@60Hz, 75Hz, 1360x768@60Hz	640x350@70Hz, 640x480@60Hz, 720x400@70Hz, 640x480@67Hz, 832x624@75Hz, 1152x870@75Hz, 640x480@73Hz, 75Hz, 800x600@56Hz, 60Hz, 72Hz, 75Hz, 1024x768@60Hz, 70Hz, 75Hz, 1152x864@75Hz, 1280x960@60Hz, 1280x1024@60Hz, 1360x768@60Hz, 1600x1200@60Hz, 1920x1080@60Hz
Brightness (typ.)	500 cd/m <sup>2</sup>	450 cd/m <sup>2</sup>	450 cd/m <sup>2</sup>	470 cd/m <sup>2</sup>
Contrast Ratio (Typ./Dynamic)	3000:1 / 40,000:1	3000:1 / 40,000:1	3000:1 / 40,000:1	3000:1 / 40,000:1
Response Time	8ms	8ms	8ms	8ms
Viewing Angle (H/V)	178°/178°	178°/178°	178°/178°	178°/178°
<b>MTBF</b>				
MTBF	50,000 hrs	50,000 hrs	50,000 hrs	50,000 hrs
<b>PC Connectivity</b>				
VGA 15-pin D-Sub In (x1)	■	■	■	■
BNC In/Out (x3 / x3)	■ / ■	■ / ■	■ / ■	■ / ■
DVI-D (x 1)	■	■	■	■
<b>Video Connectivity</b>				
HDMI (x 1)	■	■	■	■
Component In/Out (x 5/ x 5)	■ / ■	■ / ■	■ / ■	■ / ■
CVBS (AV) In/Out (x 1/ x 1)	■ / □	■ / □	■ / □	■ / □
S-Video In/Out (x 1 / x 1)	□ / □	□ / □	□ / □	□ / □
<b>TV Tuner</b>				
CI slot (x 1)	□	□	□	□
ANT In (x 1)	□	□	□	□
<b>Audio Connectivity</b>				
DVI/PC/BNC Audio In/Out (Mini Stereo 3.5mm L-R x 1/ x 1)	■ / □	■ / □	■ / □	■ / □
Component Audio In/Out (RCA x 1/ x1)	□ / □	□ / □	□ / □	□ / □
CVBS (AV) Audio In/Out (Mini Stereo 3.5mm L-R x 1/ x 1)	■ / ■	■ / ■	■ / ■	■ / ■
External Speaker Out (L-R x 2)	□	□	□	□
Integrated Speakers	■ (5W x 2)	■ (10W x 2)	■ (10W x 2)	■ (10W x 2)
<b>Network Connectivity</b>				
RS232C In/Out (x 1/ x 1)	■ / ■	■ / ■	■ / ■	■ / ■
Remote In/Out (x 1/ x 1)	□ / □	□ / □	□ / □	□ / □
VGA 15-pin D-Sub Out (x 1)	□	□	□	□
USB 2.0 (x3) (only network model)	□	□	■	□
LAN (x 1) (only network model)	□	□	■	□
Built-in PC (only network model)	□	□	■	□
Embedded S/W (only network model)	□	□	■ MagicInfo Pro-Extension	□
DTV SBB (SetBack Box) Option (SBB-DT)	■	■	■	■
Network SBB (SetBack Box) Option (SBB-NT) (only non-network model)	■	■	■	■
<b>Mechanical Specs</b>				
Bezel Width	40 mm	40 mm	40 mm	40 mm
Dimension (w/o stand) (W x H x D)	30.7 x 19.0 x 4.28"	38.2 x 22.9 x 4.67"	38.2 x 22.9 x 4.67"	43.4 x 25.9 x 4.94"
Dimension (w/stand) (W x H x D)	30.7 x 21.5 x 10.0"	38.2 x 24.8 x 12.2"	38.2 x 24.8 x 12.2"	43.4 x 28.1 x 12.2"
Dimension (packaging) (W x H x D)	35.4 x 23.6 x 12.2"	43.6 x 27.6 x 12.2"	43.6 x 27.6 x 12.2"	49.1 x 32.4 x 12.2"
Weight (set/package)	30.2 / 36.8 lbs.	42.8 / 50.5 lbs.	45.9 / 53.6 lbs.	62.8 / 78.3 lbs
Cabinet Color	Matte Black	Matte Black	Matte Black	Matte Black
Wall Mount	200 x 200 mm	600 x 400 mm	600 x 400 mm	600 x 400 mm
<b>Optional Accessories</b>				
Speakers	N/A	N/A	N/A	N/A
Wall Mount	WMTL4001D	WMN-5770D	WMN-5770D	WMN-5770D
Stand	STN-L3257D	STN-L3257D	STN-L3257D	STN-L3257D
<b>Warranty</b>				
On-site Parts & Labor	3 Years	3 Years	3 Years	3 Years
<b>Green Management</b>				
Emission Standard	EMC	EMC	EMC	EMC
RoHS Compliant	■	■	■	■
Energy Star	■	■	■	■
Product Recyclability	CCFL backlight contains mercury, please dispose of properly	CCFL backlight contains mercury, please dispose of properly	CCFL backlight contains mercury, please dispose of properly	CCFL backlight contains mercury, please dispose of properly
Packaging Recyclability	Packing materials recyclable	Packing materials recyclable	Packing materials recyclable	Packing materials recyclable

■ Available □ Not Available



460MPn

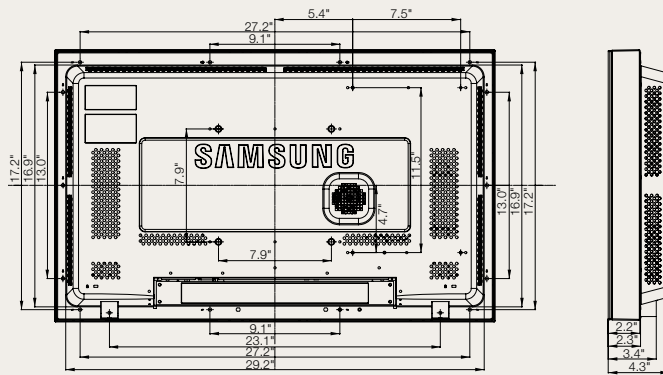
46"
1920 x 1080
640x350@70Hz, 640x480@60Hz, 720x400@70Hz, 640x480@67Hz, 832x624@75Hz, 1152x870@75Hz, 640x480@73Hz, 75Hz, 800x600@56Hz, 60Hz, 72Hz, 75Hz, 848x480@60Hz, 1024x768@60Hz, 70Hz, 75Hz, 1152x864@75Hz, 1280x768@60Hz, 1280x960@60Hz, 1280x1024@60Hz, 1280x1024@75Hz, 1360x768@60Hz, 1600x1200@60Hz, 1920x1080@60Hz
470 cd/m <sup>2</sup>
3000:1 / 40,000:1
8ms
178°/178°
50,000 hrs

■
■/■
■
■
■/■
■/□
□/□
□
□
■/□
□/□
■/■
□
■ (10W x 2)
■/■
□/□
■
■
■
■
■
■ MagicInfo Pro-Extension
■
■

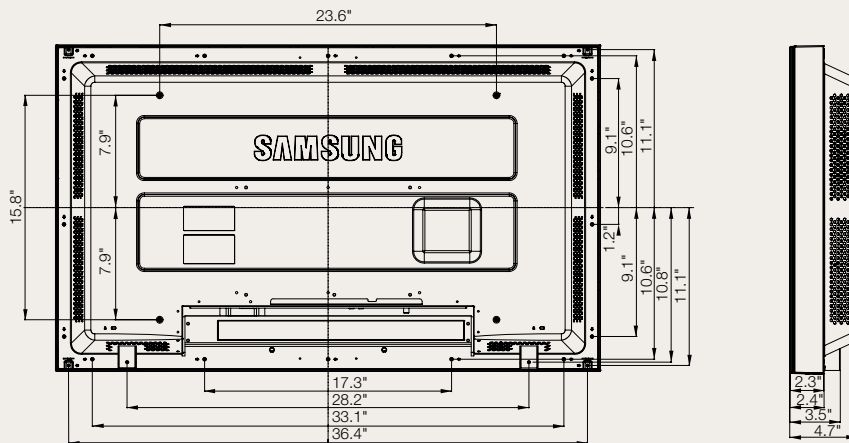
40 mm
43.4 x 25.9 x 4.94"
43.4 x 28.1 x 12.2"
49.1 x 32.4 x 12.2"
65.9 / 88.0 lbs.
Matte Black
600 x 400 mm
N/A
WMN-5770D
STN-L3257D

3 Years
EMC
■
■
CCFL backlight contains mercury, please dispose of properly
Packing materials recyclable

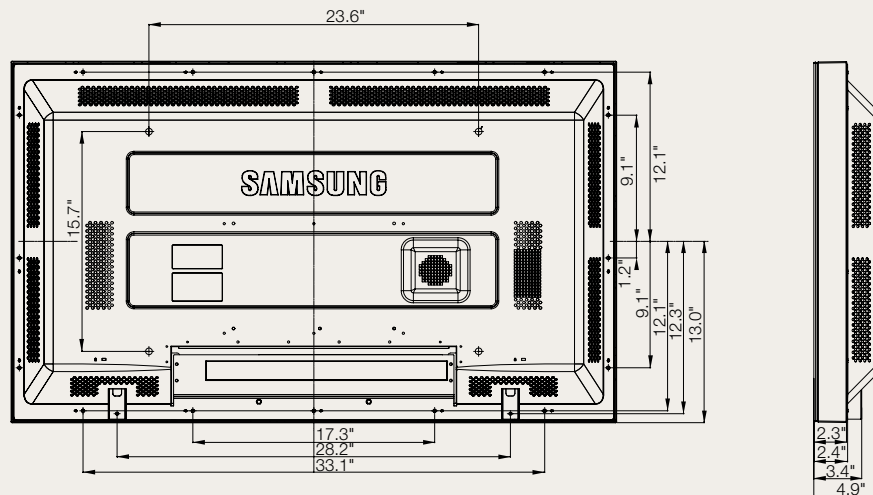
320MP



400MP(n)



460MP(n)





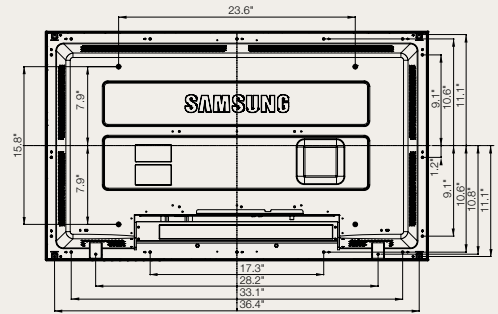
Specifications

# FP/FPn



Series	400FP	400FPn
<b>LCD Panel</b>		
Screen Size	40"	40"
Native Resolution	1920 x 1080	1920 x 1080
Supporting Resolution (from PC)	640x350@70Hz, 640x480@60Hz, 720x400@70Hz, 640x480@67Hz, 832x624@75Hz, 1152x870@75Hz, 640x480@73Hz, 75Hz, 800x600@56Hz, 60Hz, 72Hz, 75Hz, 848x480@60Hz, 1024x768@60Hz, 70Hz, 75Hz, 1152x864@75Hz, 1280x768@60Hz, 1280x960@60Hz, 1280x1024@60Hz, 1280x1024@75Hz, 1360x768@60Hz, 1600x1200@60Hz, 1920x1080@60Hz	640x350@70Hz, 640x480@60Hz, 720x400@70Hz, 640x480@67Hz, 832x624@75Hz, 1152x870@75Hz, 640x480@73Hz, 75Hz, 800x600@56Hz, 60Hz, 72Hz, 75Hz, 848x480@60Hz, 1024x768@60Hz, 70Hz, 75Hz, 1152x864@75Hz, 1280x768@60Hz, 1280x960@60Hz, 1280x1024@60Hz, 1280x1024@75Hz, 1360x768@60Hz, 1600x1200@60Hz, 1920x1080@60Hz
Brightness (typ.)	470 cd/m <sup>2</sup>	470 cd/m <sup>2</sup>
Contrast Ratio (Typ./Dynamic)	3000:1 / 40,000:1	3000:1 / 40,000:1
Response Time	8ms	8ms
Viewing Angle (H/V)	178°/178°	178°/178°
<b>MTBF</b>		
MTBF	50,000 hrs	50,000 hrs
<b>PC Connectivity</b>		
VGA 15-pin D-Sub In (x1)	■	■
BNC In/Out (x3 / x3)	■ / ■	■ / ■
DVI-D (x 1)	■	■
<b>Video Connectivity</b>		
HDMI (x 1)	■	■
Component In/Out (x 5/ x 5)	■ / ■	■ / ■
CVBS (AV) In/Out (x 1/ x 1)	■ / □	■ / □
S-Video In/Out (x 1 / x 1)	□ / □	□ / □
<b>TV Tuner</b>		
CI slot (x 1)	□	□
ANT In (x 1)	□	□
<b>Audio Connectivity</b>		
DVI/PC/BNC Audio In/Out (Mini Stereo 3.5mm L-R x 1/ x 1)	■ / □	■ / □
Component Audio In/Out (RCA x 1/ x1)	□ / □	□ / □
CVBS (AV) Audio In/Out (Mini Stereo 3.5mm L-R x 1/ x 1)	■ / ■	■ / ■
External Speaker Out (L-R x 2)	□	□
Integrated Speakers	■ (10W x 2)	■ (10W x 2)
<b>Network Connectivity</b>		
RS232C In/Out (x 1/ x 1)	■ / ■	■ / ■
Remote In/Out (x 1/ x 1)	□ / □	□ / □
VGA 15-pin D-Sub Out (x 1)	□	■
USB 2.0 (x3) (only network model)	□	■
LAN (x 1) (only network model)	□	■
Built-in PC (only network model)	□	■
Embedded S/W (only network model)	□	■ MagicInfo Pro-Extension
DTV SBB (SetBack Box) Option (SBB-DT)	■	■
Network SBB (SetBack Box) Option (SBB-NT) (only non-network model)	■	■
<b>Mechanical Specs</b>		
Bezel Width	40 mm	40 mm
Dimension (w/o stand) (W x H x D)	38.2 x 22.9 x 4.67"	38.2 x 22.9 x 4.67"
Dimension (w/stand) (W x H x D)	38.2 x 25.3 x 12.2"	38.2 x 25.3 x 12.2"
Dimension (packaging) (W x H x D)	42.7 x 27.2 x 12.2"	42.7 x 27.2 x 12.2"
Weight (set/package)	41.9 / 49.6 lbs. (400FP)	45.0/ 52.7 lbs. (400FPn)
Cabinet Color	Matte Black	Matte Black
Wall Mount	600 x 400 mm	600 x 400 mm
<b>Optional Accessories</b>		
Speakers	N/A	N/A
Wall Mount	WMN-5770D	WMN-5770D
Stand	STN-L3257D	STN-L3257D
<b>Warranty</b>		
On-site Parts & Labor	3 Years	3 Years
<b>Green Management</b>		
Emission Standard	EMC	EMC
RoHS Compliant	■	■
Energy Star	■	■
Product Recyclability	CCFL backlight contains mercury, please dispose of properly	CCFL backlight contains mercury, please dispose of properly
Packaging Recyclability	Packing materials recyclable	Packing materials recyclable

400FP(n)



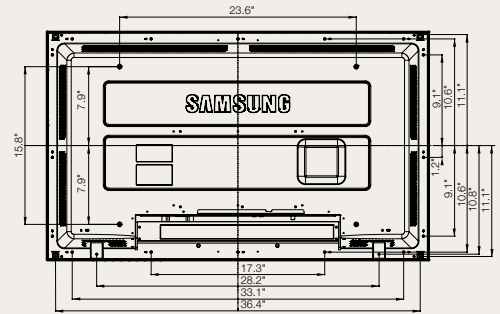
■ Available □ Not Available

# FX/FXn



Series	400FX	400FXn
<b>LCD Panel</b>		
Screen Size	40"	40"
Native Resolution	1920 x 1080	1920 x 1080
Supporting Resolution (from PC)	640x350@70Hz, 640x480@60Hz, 720x400@70Hz, 640x480@67Hz, 832x624@75Hz, 1152x870@75Hz, 640x480@73Hz, 75Hz, 800x600@56Hz, 60Hz, 72Hz, 75Hz, 848x480@60Hz, 1024x768@60Hz, 70Hz, 75Hz, 1152x864@75Hz, 1280x768@60Hz, 1280x960@60Hz, 1280x1024@60Hz, 1280x1024@75Hz, 1360x768@60Hz, 1600x1200@60Hz, 1920x1080@60Hz	640x350@70Hz, 640x480@60Hz, 720x400@70Hz, 640x480@67Hz, 832x624@75Hz, 1152x870@75Hz, 640x480@73Hz, 75Hz, 800x600@56Hz, 60Hz, 72Hz, 75Hz, 848x480@60Hz, 1024x768@60Hz, 70Hz, 75Hz, 1152x864@75Hz, 1280x768@60Hz, 1280x960@60Hz, 1280x1024@60Hz, 1280x1024@75Hz, 1360x768@60Hz, 1600x1200@60Hz, 1920x1080@60Hz
Brightness (typ.)	470 cd/m <sup>2</sup>	470 cd/m <sup>2</sup>
Contrast Ratio (Typ./Dynamic)	3000:1 / 40,000:1	3000:1 / 40,000:1
Response Time	8ms	8ms
Viewing Angle (H/V)	178°/178°	178°/178°
<b>MTBF</b>		
MTBF	50,000 hrs	50,000 hrs
<b>PC Connectivity</b>		
VGA 15-pin D-Sub In (x1)	■	■
BNC In/Out (x3 / x3)	□ / □	□ / □
DVI-D (x 1)	■	■
<b>Video Connectivity</b>		
HDMI (x 1)	■	■
Component In/Out (x 5/ x 5)	□ / □	□ / □
CVBS (AV) In/Out (x 1/ x 1)	■ / □	■ / □
S-Video In/Out (x 1 / x 1)	□ / □	□ / □
<b>TV Tuner</b>		
CI slot (x 1)	□	□
ANT In (x 1)	□	□
<b>Audio Connectivity</b>		
DVI/PC/BNC Audio In/Out (Mini Stereo 3.5mm L-R x 1/ x 1)	■ / □	■ / □
Component Audio In/Out (RCA x 1/ x1)	□ / □	□ / □
CVBS (AV) Audio In/Out (Mini Stereo 3.5mm L-R x 1/ x 1)	■ / ■	■ / ■
External Speaker Out (L-R x 2)	□	□
Integrated Speakers	■ (10W x 2)	■ (10W x 2)
<b>Network Connectivity</b>		
RS232C In/Out (x 1/ x 1)	■ / ■	■ / ■
Remote In/Out (x 1/ x 1)	□ / □	□ / □
VGA 15-pin D-Sub Out (x 1)	□	■
USB 2.0 (x3) (only network model)	□	■
LAN (x 1) (only network model)	□	■
Built-in PC (only network model)	□	■
Embedded S/W (only network model)	□	■ MagicInfo Pro-Extension
DTV SBB (SetBack Box) Option (SBB-DT)	□	□
Network SBB (SetBack Box) Option (SBB-NT) (only non-network model)	□	□
<b>Mechanical Specs</b>		
Bezel Width	40 mm	40 mm
Dimension (w/o stand) (W x H x D)	38.2 x 22.9 x 4.67"	38.2 x 22.9 x 4.67"
Dimension (w/stand) (W x H x D)	38.2 x 25.3 x 12.2"	38.2 x 25.3 x 12.2"
Dimension (packaging) (W x H x D)	42.7 x 27.2 x 12.2"	42.7 x 27.2 x 12.2"
Weight (set/package)	41.9 / 49.6 lbs.	45.0/ 52.7 lbs.
Cabinet Color	Matte Black	Matte Black
Wall Mount	600 x 400 mm	600 x 400 mm
<b>Optional Accessories</b>		
Speakers	N/A	N/A
Wall Mount	WMN-5770D	WMN-5770D
Stand	STN-L3257D	STN-L3257D
<b>Warranty</b>		
On-site Parts & Labor	3 Years	3 Years
<b>Green Management</b>		
Emission Standard	EMC	EMC
RoHS Compliant	■	■
Energy Star	■	■
Product Recyclability	CCFL backlight contains mercury, please dispose of properly	CCFL backlight contains mercury, please dispose of properly
Packaging Recyclability	Packing materials recyclable	Packing materials recyclable

400FX(n)



MX/MXn



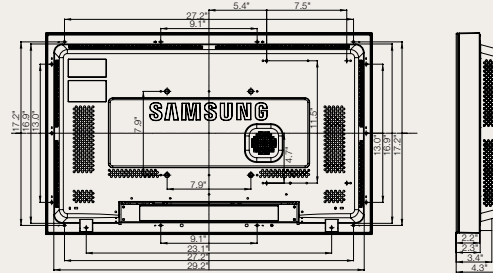
Series	320MX	320MXn	400MX
<b>LCD Panel</b>			
Screen Size	32" (16:9)	32" (16:9)	40"
Native Resolution	1366 x 768	1366 x 768	1366 x 768
Supporting Resolution (from PC)	640x350@70Hz, 640x480@60Hz, 720x400@70Hz, 640x480@67Hz, 832x624@75Hz, 1152x870@75Hz, 640x480@73Hz, 75Hz, 800x600@56Hz, 60Hz, 72Hz, 75Hz, 1024x768@60Hz, 70Hz, 75Hz, 1152x864@75Hz, 1280x960@60Hz, 1280x1024@60Hz, 75Hz, 1360x768@60Hz	640x350@70Hz, 640x480@60Hz, 720x400@70Hz, 640x480@67Hz, 832x624@75Hz, 1152x870@75Hz, 640x480@73Hz, 75Hz, 800x600@56Hz, 60Hz, 72Hz, 75Hz, 1024x768@60Hz, 70Hz, 75Hz, 1152x864@75Hz, 1280x960@60Hz, 1280x1024@60Hz, 75Hz, 1360x768@60Hz	640x350@70Hz, 640x480@60Hz, 720x400@70Hz, 640x480@67Hz, 832x624@75Hz, 1152x870@75Hz, 640x480@73Hz, 75Hz, 800x600@56Hz, 60Hz, 72Hz, 75Hz, 1024x768@60Hz, 70Hz, 75Hz, 1152x864@75Hz, 1280x960@60Hz, 1280x1024@60Hz, 75Hz, 1360x768@60Hz
Brightness (typ.)	500 cd/m <sup>2</sup>	500 cd/m <sup>2</sup>	450 cd/m <sup>2</sup>
Contrast Ratio (Typ./Dynamic)	3000:1 / 40,000:1	3000:1 / 40,000:1	3000:1 / 40,000:1
Response Time	8ms	8ms	8ms
Viewing Angle (H/V)	178°/178°	178°/178°	178°/178°
<b>MTBF</b>			
MTBF	50,000 hrs	50,000 hrs	50,000 hrs
<b>PC Connectivity</b>			
VGA 15-pin D-Sub In (x1)	■	■	■
BNC In/Out (x3 / x3)	□/□	□/□	□/□
DVI-D (x 1)	■	■	■
<b>Video Connectivity</b>			
HDMI (x 1)	■	■	■
Component In/Out (x 5/ x 5)	□/□	□/□	□/□
CVBS (AV) In/Out (x 1/ x 1)	■/□	■/□	■/□
S-Video In/Out (x 1 / x 1)	□/□	□/□	□/□
<b>TV Tuner</b>			
CI slot (x 1)	□	□	□
ANT In (x 1)	□	□	□
<b>Audio Connectivity</b>			
DVI/PC/BNC Audio In/Out (Mini Stereo 3.5mm L-R x 1/ x 1)	■/□	■/□	■/□
Component Audio In/Out (RCA x 1/ x1)	□/□	□/□	□/□
CVBS (AV) Audio In/Out (Mini Stereo 3.5mm L-R x 1/ x 1)	■/■	■/■	■/■
External Speaker Out (L-R x 2)	□	□	□
Integrated Speakers	■ (5W x 2)	■ (5W x 2)	■ (10W x 2)
<b>Network Connectivity</b>			
RS232C In/Out (x 1/ x 1)	■/■	■/■	■/■
Remote In/Out (x 1/ x 1)	□/□	□/□	□/□
VGA 15-pin D-Sub Out (x 1)	□	■	□
USB 2.0 (x3) (only network model)	□	■	□
LAN (x 1) (only network model)	□	■	□
Built-in PC (only network model)	□	■	□
Embedded S/W (only network model)	□	■ MagicInfo Pro-Extension	□
DTV SBB (SetBack Box) Option (SBB-DT)	■	■	■
Network SBB (SetBack Box) Option (SBB-NT) (only non-network model)	■	■	■
<b>Mechanical Specs</b>			
Bezel Width	40 mm	40 mm	40 mm
Dimension (w/o stand) (W x H x D)	30.7 x 19.0 x 4.28"	30.7 x 19.0 x 4.28"	38.2 x 22.9 x 4.67"
Dimension (w/stand) (W x H x D)	30.7 x 21.5 x 10.0"	30.7 x 21.5 x 10.0"	38.2 x 25.3 x 12.2"
Dimension (packaging) (W x H x D)	35.4 x 23.6 x 12.2"	35.4 x 23.6 x 12.2"	43.6 x 26.2 x 12.2"
Weight (set/package)	33.0 / 38.5 lbs.	36.1 / 41.7 lbs.	42.5 / 49.2 lbs.
Cabinet Color	Matte Black	Matte Black	Matte Black
Wall Mount	200 x 200 mm	200 x 200 mm	600 x 400 mm
<b>Optional Accessories</b>			
Speakers	N/A	N/A	N/A
Wall Mount	WMTL4001D	WMTL4001D	WMN-5770D
Stand	STN-L3257D	STN-L3257D	STN-L3257D
<b>Warranty</b>			
On-site Parts & Labor	3 Years	3 Years	3 Years
<b>Green Management</b>			
Emission Standard	EMC	EMC	EMC
RoHS Compliant	■	■	■
Energy Star	■	■	■
Product Recyclability	CCFL backlight contains mercury, please dispose of properly	CCFL backlight contains mercury, please dispose of properly	CCFL backlight contains mercury, please dispose of properly
Packaging Recyclability	Packing materials recyclable	Packing materials recyclable	Packing materials recyclable



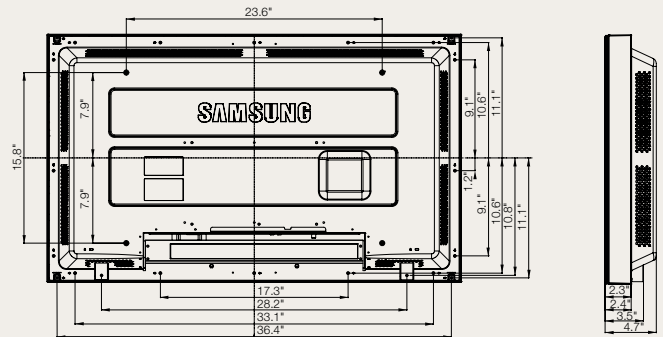


400MXn	460MX	460MXn
40"	46"	46"
1366 x 768	1920 x 1080	1920 x 1080
640x350@70Hz, 640x480@60Hz, 720x400@70Hz, 640x480@67Hz, 832x624@75Hz, 1152x870@75Hz, 640x480@73Hz, 75Hz, 800x600@56Hz, 60Hz, 72Hz, 75Hz, 75Hz, 1024x768@60Hz, 70Hz, 75Hz, 1152x864@75Hz, 1280x960@60Hz, 1280x1024@60Hz, 75Hz, 1360x768@60Hz	640x350@70Hz, 640x480@60Hz, 720x400@70Hz, 640x480@67Hz, 832x624@75Hz, 1152x870@75Hz, 640x480@73Hz, 75Hz, 800x600@56Hz, 60Hz, 72Hz, 75Hz, 848x480@60Hz, 1024x768@60Hz, 70Hz, 75Hz, 1152x864@75Hz, 1280x768@60Hz, 1280x960@60Hz, 1280x1024@60Hz, 1280x1024@75Hz, 1360x768@60Hz, 1600x1200@60Hz, 1920x1080@60Hz	640x350@70Hz, 640x480@60Hz, 720x400@70Hz, 640x480@67Hz, 832x624@75Hz, 1152x870@75Hz, 640x480@73Hz, 75Hz, 800x600@56Hz, 60Hz, 72Hz, 75Hz, 848x480@60Hz, 1024x768@60Hz, 70Hz, 75Hz, 1152x864@75Hz, 1280x768@60Hz, 1280x960@60Hz, 1280x1024@60Hz, 1280x1024@75Hz, 1360x768@60Hz, 1600x1200@60Hz, 1920x1080@60Hz
450 cd/m <sup>2</sup>	470 cd/m <sup>2</sup>	470 cd/m <sup>2</sup>
3000:1 / 40,000:1	3000:1 / 40,000:1	3000:1 / 40,000:1
8ms	8ms	8ms
178°/178°	178°/178°	178°/178°
50,000 hrs	50,000 hrs	50,000 hrs
■	■	■
□/□	□/□	□/□
■	■	■
■	■	■
□/□	□/□	□/□
■/□	■/□	■/□
□/□	□/□	□/□
□	□	□
□	□	□
■/□	■/□	■/□
□/□	□/□	□/□
■/■	■/■	■/■
□	□	□
■ (10W x 2)	■ (10W x 2)	■ (10W x 2)
■/■	■/■	■/■
□/□	□/□	□/□
■	■	■
■	■	■
■	■	■
■ MagicInfo Pro-Extension	■	■ MagicInfo Pro-Extension
■	■	■
■	■	■
40 mm	40 mm	40 mm
38.2 x 22.9 x 4.67"	43.4 x 25.9 x 4.94"	43.4 x 25.9 x 4.94"
38.2 x 25.3 x 12.2"	43.4 x 28.2 x 12.2"	43.4 x 28.2 x 12.2"
43.6 x 26.2 x 12.2"	49.5 x 29.3 x 12.2"	49.5 x 29.3 x 12.2"
45.0 / 52.7 lbs.	52.9 / 68.3 lbs.	65.9 / 88.0 lbs.
Matte Black	Matte Black	Matte Black
600 x 400 mm	600 x 400 mm	600 x 400 mm
N/A	N/A	N/A
WMN-5770D	WMN-5770D	WMN-5770D
STN-L3257D	STN-L3257D	STN-L3257D
3 Years	3 Years	3 Years
EMC	EMC	EMC
■	■	■
■	■	■
CCFL backlight contains mercury, please dispose of properly	CCFL backlight contains mercury, please dispose of properly	CCFL backlight contains mercury, please dispose of properly
Packing materials recyclable	Packing materials recyclable	Packing materials recyclable

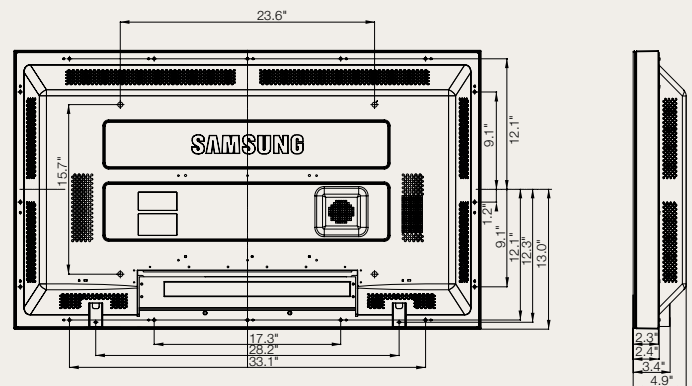
### 320MX(n)



### 400MX(n)



### 460MX(n)



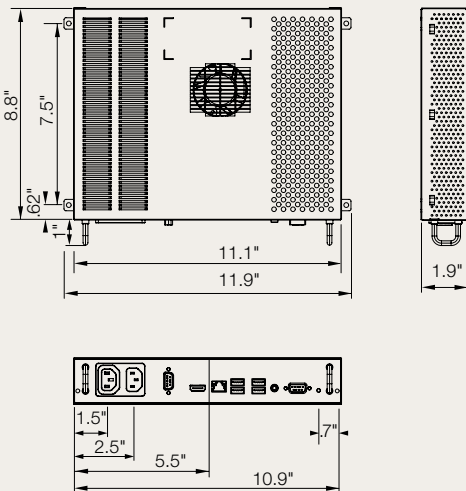
# Set Back Box



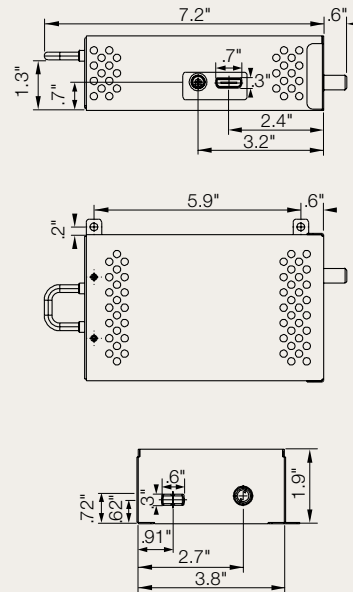
Series SBB-NT	
<b>CPU</b>	
AMD Athlon X2 Dual-Core: - 2.3 GHz, 64-bit Dual Core / 1GHz FSB - 256KB (L1) / 1MB (L2) Cache - AM2 Socket (cuPGA-940p)	
<b>Memory</b>	
DDR2-DIMM (240p) x 2: - Dual Channel 1GB Default (512 MB x 2)	
<b>Chipset</b>	
North	RS 780: - AMD HT3 supports North Bridge with Integrated Graphics
South	SB 700: - SATA / PATA Controller - USB 2.0 Host Controller - HD Audio Codec (Azalia) Support
<b>Graphics</b>	
RS780 Integrated Graphics: - 2D/3D Acceleration Engine - UVD: Full HD MPEG-2/H.264/VC1 - Video Memory : UMA + Side Port (64MB)	
<b>Audio</b>	
RealTek ALC262 Azalia CODEC (Stereo) or AMD HDMI Audio	
<b>LAN</b>	
Marvell 88e8055 Gigabit Controller	
<b>Ext. Slot</b>	
No Expansion Slot Available	
<b>Storage Interface</b>	
SATA x 1, PATA x 1	
<b>Storage Device</b>	
2.5" SATA HDD, 80GB	
<b>IO Ports</b>	
HDMI	Single Channel HDMI Port (up to 1080p)
VGA	Analog RGB Out (15-pin D-sub)
LAN	GbE Ethernet LAN (RJ-45)
USB	External USB 2.0 Port x 4
Audio	Stereo Audio Out (Phone Jack) HDMI Audio (Built in HDMI Conn.)
Serial	RS-232C (Dsub 9p) x 1
<b>Power</b>	
87 Watt SMPS, 110V ~ 220V	
<b>Dimensions</b>	
16.3 x 12.7 x 6.1"	
<b>Weights</b>	
Product Weight	6 lbs.
Shipping Weight	7.4 lbs.

Series SBB-DT	
<b>Output Interface</b>	
HDMI	
<b>External Antenna Connector</b>	
75Ohms	
<b>Tuner</b>	
48.25Mhz ~ 863.25Mhz	
<b>Features1</b>	
Analog & Digital Terrestrial Reception	
Supports HDTV/AC3 standards	
Channel Auto Scan	
<b>MPEG-II</b>	
LNA (Low Noise Amplifier)	
Plug and Play Easy Set-Up	
Supports Caption, V-Chip	
S/W Upgrade via USB slot	
<b>Environmental Specs</b>	
Operating	10°C ~ 40°C
Storage	-20°C ~ 60°C
Humidity	10% ~ 80%
<b>Dimensions</b>	
3.7 x 6.1 x 1.9"	
<b>Weights</b>	
Product Weight	1.1 lbs.
Shipping Weight	2.1 lbs.
<b>Input</b>	
5V	
<b>Power</b>	
3.5W	

## SBB-NT



## SBB-DT



# Samsung Service and Warranties

Your Samsung LCD information display was engineered to last a long time. But in the event you need us to help with a repair, we'll be there for you.

## Three-Year On-Site Warranty

Samsung professional LCD displays come with a three-year parts and labor warranty. It includes on-site repair or exchange.

## Extended Warranty

Samsung can extend your warranty period for either a one or two-year period for an additional cost. You'll enjoy Samsung protection for up to five years.

## Fast Track Warranty Service

For those who can't wait for standard warranty turnaround times, Samsung offers Fast Track service. With Fast Track, your display will be replaced the next business day after a service ticket is opened.

## White Glove Service

Samsung White Glove service is also available, for a completely painless experience. For an additional fee, our technicians will deliver and install your Samsung display, walk you through its basic features and functions, and answer any questions you may have.





# Samsung Specialty LCD Displays

Special situations require special solutions. Samsung specialty LCD displays mean you can have a premium-quality display, no matter what your situation requires.

## UX(n)-M Series Displays

400UXn-M, 460UXn-M

Compatible with Samsung MID ID Kits (MID40 for 40" displays, MID46 for 46" displays) for easy assembly of video walls. MagicInfo™ Pro-Extension lets users create and control groups of displays over a LAN/WAN.

### High Ambient Light Conditions

**Indoor Entertainment Venues:** Indoor stadiums, auditoriums, digital movie theaters, civic centers, convention centers, museums, parks, hotel lobbies, bars, casinos, clubs

**Indoor Retail/Signage/Billboard:** Point of Sale (POS) displays or in-store TVs at convenience stores, book stores, movie theaters, quick-serve restaurants, grocery stores, coffee shops, pharmacies, department stores and shopping malls

**Outdoor:** Marquees, gas pumps, other outdoor signage

**Transportation:** FIDs, airports, railway and bus stations, fixed highway stations

**Financial Exchange:** Stock, commodity, currency and other financial exchange establishments



## UTn-M Series Displays

460UTn-M

The world's thinnest large-format display bezel, with a gap of just 7.3 mm (.28") from screen to screen. Maintenance is greatly simplified with the Samsung ID2 Kit (MID46-2). MagicInfo™ Pro-Extension lets users create and control groups of displays over a LAN/WAN.

### High Ambient Light Conditions

**Indoor Entertainment Venues:** Indoor stadiums, auditoriums, digital movie theaters, civic centers, convention centers, museums, parks, hotel lobbies, bars, casinos, clubs

**Indoor Retail/Signage/Billboard:** Point of Sale (POS) displays or in-store TVs at convenience stores, book stores, movie theaters, quick-serve restaurants, grocery stores, coffee shops, pharmacies, department stores and shopping malls

**Outdoor:** Marquees, gas pumps, other outdoor signage

**Transportation:** FIDs, airports, railway and bus stations, fixed highway stations

**Financial Exchange:** Stock, commodity, currency and other financial exchange establishments

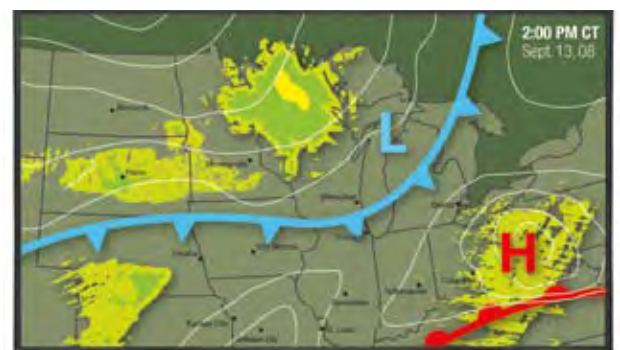


## UX(n)-UD Series Displays

400UXn-UD, 460UXn-UD

Samsung UD software allows video walls of up to 250 displays with real-time interactive control of 125 source PCs from a single control PC. Samsung UD software with built-in PC enables gigapixel images to be displayed very quickly. Compatible with Samsung MID ID Kits (MID40 for 40" displays, MID46 for 46" displays) for easy assembly of video walls.

**Special Indoor Venues:** Weather, military control rooms, large lecture/conference rooms, medical centers where constant, real-time information sharing from multiple feeds is important.



## UVending Displays

460i

Interactive and real-time digital signage touch screen panels provide the whole-solution hardware kit. Samsung proprietary MagicInfo™ i software provides the web-based display management solution.

### High Ambient Light Conditions

**Indoor Entertainment Venues:** Indoor stadiums, auditoriums, digital movie theaters, civic centers, convention centers, museums, parks, hotel lobbies, bars, casinos, clubs

**Indoor Retail/Signage/Billboard:** Point of Sale (POS) displays or in-store TVs at convenience stores, book stores, movie theaters, quick-serve restaurants, grocery stores, coffee shops, pharmacies, department stores and shopping malls

**Outdoor:** Retail and other outdoor locations



## DR(n) Series Displays

460DR, 460DRn

An LCD panel for the brightest conditions. Its very high brightness levels allow it to be readable even in bright sunlight and high ambient light environments. It allows customers and system integrators to make their own housing.

### Outdoors and High Ambient Light Conditions

**Indoor Retail/Signage/Billboard:** Point of Sale (POS) displays or in-store TVs at convenience stores, book stores, movie theaters, quick-serve restaurants, grocery stores, coffee shops, pharmacies, department stores and shopping malls

**Outdoor:** Outdoor menus, marquees, gas pumps, other outdoor signage

**Transportation:** FIDs, multi-use informational displays at airports, railway and bus stations, fixed highway stations



## DRn-A Series Display Solution

460DRn-A

A high-brightness touch screen display in a durable, element-resistant, air-conditioned housing. An all-in-one solution for customers who need an outdoor solution right away.

### Outdoors and High Ambient Light Conditions

**Indoor Retail/Signage/Billboard:** Point of Sale (POS) displays or in-store TVs at convenience stores, book stores, movie theaters, quick-serve restaurants, grocery stores, coffee shops, pharmacies, department stores and shopping malls

**Outdoor:** Outdoor menus, marquees, gas pumps, other outdoor signage

**Transportation:** FIDs, multi-use informational displays at airports, railway and bus stations, fixed highway stations



## TSn Series Displays

320TSn, 400TSn, 460TSn, 700TSn, 820TSn

Integrated touch screen solution features fast, sensitive infrared (IR) technology. 3 mm protective LCD glass panel provides durability in commercial environments.

**Indoor Entertainment Venues:** Indoor stadiums, auditoriums, digital movie theaters, civic centers, convention centers, museums, parks, hotel lobbies, bars, casinos, clubs

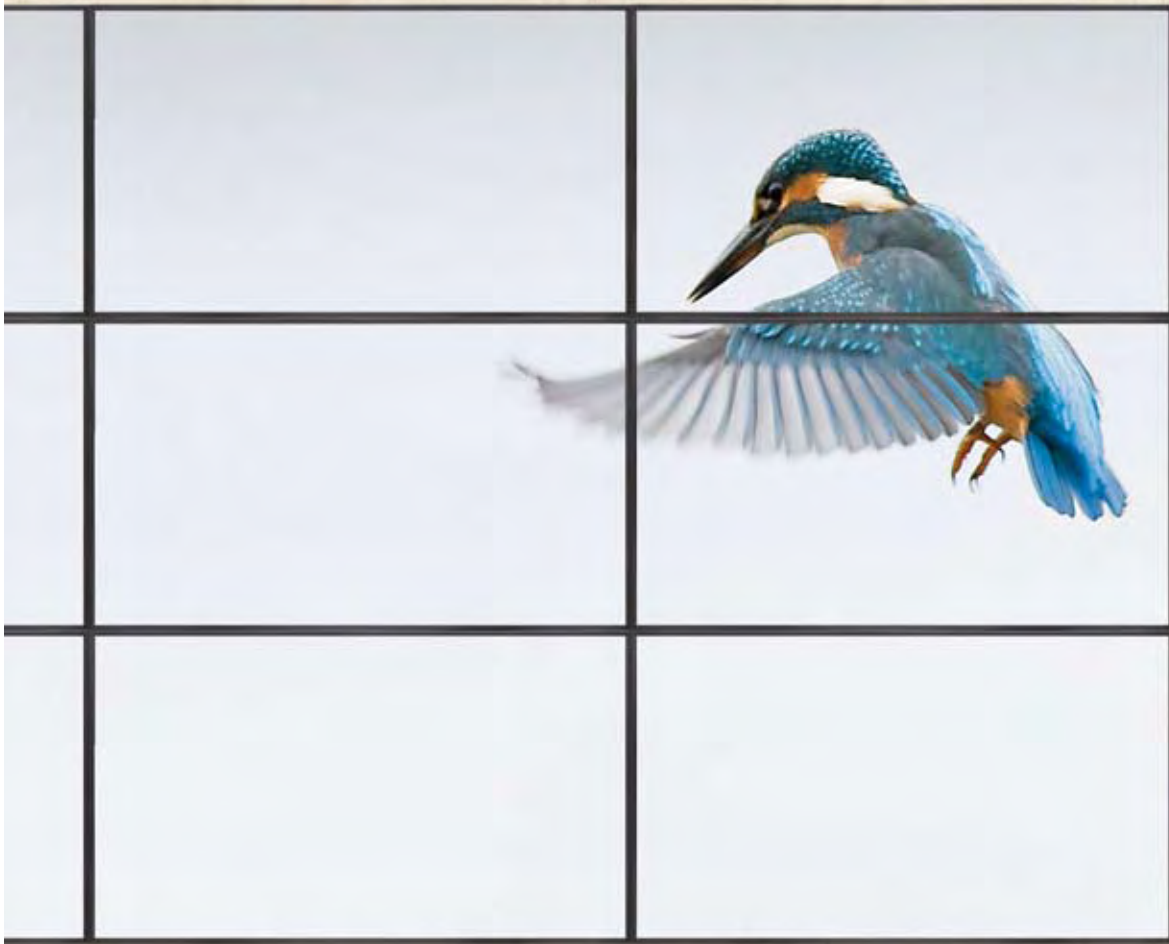
**Indoor Retail/Signage/Billboard:** Point of Sale (POS) displays or in-store TVs at convenience stores, book stores, movie theaters, quick-serve restaurants, grocery stores, coffee shops, pharmacies, department stores and shopping malls

**Transportation:** FIDs, multi-use informational displays at airports, railway and bus stations, fixed highway stations

**Education:** Classroom applications at universities, colleges and other schools



# Easier, Larger, More Natural Video Walls



Pyramid



Rectangle



Basic (3x3)



Stair



Samsung's revolutionary interlocking video wall technology, ultra-thin bezels and natural mode feature means fast setup and amazing results. Compatible with UXn-M, UXn-UD and UTn-M displays.



## Easy Interlocking Technology

The ease with which you can set up a video wall will impress you nearly as much as the picture quality. With Samsung's ingenious Interlocking Display ID Kits, you can create freestanding video walls of up to four displays high by an unlimited number wide, with no additional support. It's about as easy as stacking blocks. Even multi-sided displays can be set up in under 30 minutes.

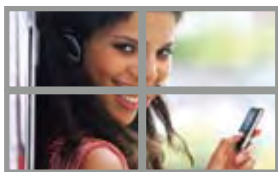
And no matter how you configure your video wall, MagicInfo™ Pro-Extension software autosenses the shape and structure, and makes controlling video walls of up to 25 displays through your network a simple drag-and-drop process.

Interlocking connectors sold separately. MID40 compatible only with 40" 400UXn-M and 400UXn-UD. MID46 compatible only with 46" 460UXn-M and 460UXn-UD. MID46-2 compatible only with 46" 460UTn-M.

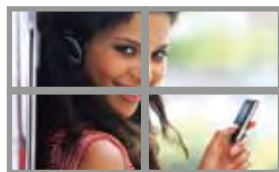


## Natural Mode

Samsung video walls let you display in either Full or Natural mode. Full mode displays the entire picture, just as it is. Natural mode compensates for the bezel width, and displays a natural, distortion-free image over the entire video wall.



Full Mode



Natural Mode

## UX(n)-M Series Displays

### Thin Bezels and Simple Installation

Samsung UXn-M displays feature thin bezels of just .3" on the 40" displays, and .5" on the 46" displays. Samsung MID ID Kits (MID40 for 40" displays, MID46 for 46" displays) make video wall assembly fast and simple.

### Easy Control

MagicInfo™ Pro-Extension software lets users create and control groups of displays over a LAN/WAN.

## UX(n)-UD Series Displays

### Samsung UD Software

Samsung UXn-UD displays include software that gives you the ability to create a video wall of up to 250 displays, then select and present content from up to 125 source PCs with a single PC, all in real time. You aren't limited to simply scheduling content and letting it run. Samsung UD software also gives you dynamic control, allowing you to zoom in, zoom out, switch images, drag content and control it however you like.

### Simple Installation

Samsung MID ID Kits (MID40 for 40" displays, MID46 for 46" displays) make video wall assembly fast and simple.

## UTn-M Series Displays

### Ultra-Thin Bezels for Virtually Seamless Video Walls

Samsung UTn-M displays feature the world's thinnest large-format display bezels. The top and left side bezels measure .16" while the bottom and right side bezels measure just .09". The total distance from the picture in one display to the picture in the next display is just .28". Video walls are virtually seamless.

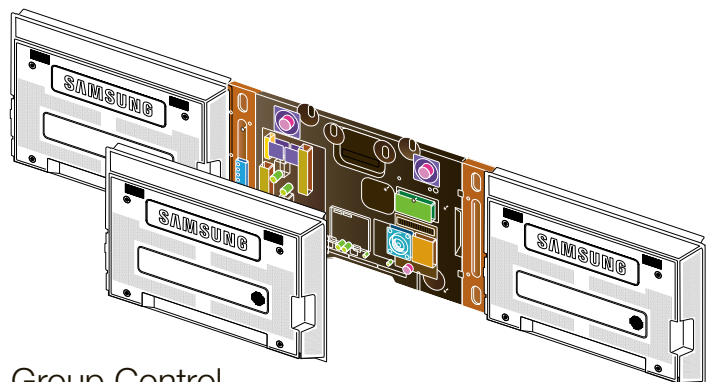


### Video Walls that Curve

The Samsung MID46-2 ID Kit allows simple installation, and allows video walls to bend forward up to 40° between displays.

### Improved Reliability, Easier Maintenance

Upgraded air venting in the Samsung UTn-M display improves cooling, which increases component life. The Samsung ID2 Kit also enables the back cover to be easily removed for servicing, without having to disassemble any part of your video wall.



### Group Control

With MagicInfo™ Pro-Extension software, users can create and control groups of displays over a LAN/WAN.



Touch Screen Displays Connect  
with your Audience





Deliver a message your audience can touch. Samsung TSn series touch screen displays add a level of detail and engagement that typical displays can't offer.

### Sensitive, Fast and Durable

Infrared (IR) technology enhances sensitivity for easy consumer operation. The 15 to 40ms response time is one of the fastest in the industry. And the 3mm thick protective glass panel ensures reliable operation for years to come.



### Built-in Speakers

Two high-powered 10W speakers add an extra dimension of functionality, without having to buy and mount external speakers. The deep, rich sound your audience hears will complement the HD image they see.

### Convenient Networking Capability

TSn series touch screen displays feature built-in PCs for easy networking. Content control is as easy as a few clicks of the mouse. And you can even create touch screen video walls with the built-in RS-232C connection.



### XS, S, M, L, XL

The right size for the right message. TSn series touch screens include the 32" 320TSn, 40" 400TSn, 46" 460TSn, 70" 700TSn and 82" 820TSn.





15:30

8	48	360
9	49	462
A		501
i-B		502
15	77	1005-1
18-A	88	1005-2
18-B	103	23
21	105-1	301
32	105-2	302
45	106	108

SAMSUNG

High Brightness Outdoor Solutions



Communicating with people means communicating with them wherever they are. And sometimes they're outside. Samsung DR/DRn series outdoor displays and DRn-A all-in-one solutions offer high performance, even in outdoor environments.

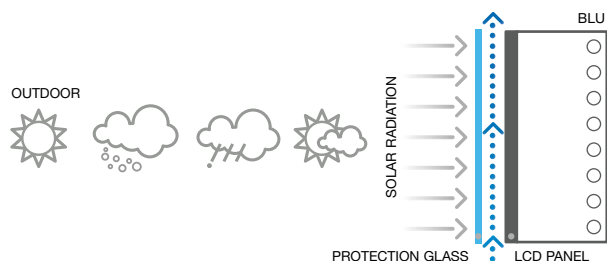
## Extra-Bright Visibility

DR/DRn/DRn-A outdoor displays feature extremely high 1500 nits brightness on the 46" display, and 2000 nits on the 70" and 82" displays. Combined with the 3500:1 contrast ratio, your message will be sharp and visible, even on bright sunny days.

70" and 82" display coming early 2009.

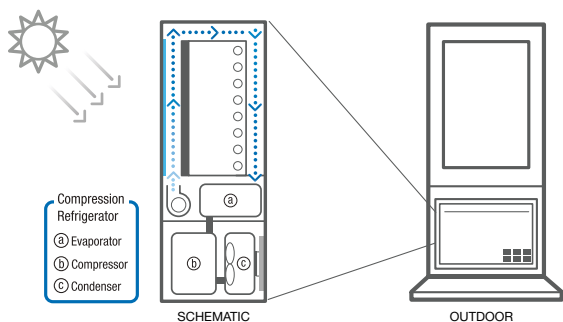
## DR/DRn Customizable Solution

The Samsung DR/DRn displays offer a high-brightness panel only that can be integrated into your own system. Add your own housing, bezel, air conditioning or whatever else you may need.



## DRn-A All-In-One Solution

The DRn-A display offers the same high-brightness panel, along with touch screen functionality, a professional-grade air conditioning unit and a sleekly designed, durable, elements-resistant housing. This complete solution is engineered to withstand high temperatures, low temperatures, high humidity, dust, rain and snow, and always operate at peak performance.



## Touch Screen Functionality Outside

The Samsung DRn-A all-in-one outdoor solutions give you all the features of our touch screen displays: touch screen functionality, speakers and protective glass.

## Easy Network Control

Samsung DRn and DRn-A displays offer network connectivity. You can easily update content over your LAN/WAN.

## Security Features

The shock sensor and camera included in our DRn-A solution provide an added measure of security.



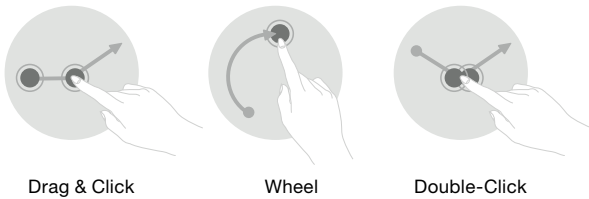


Vending Machine Displays:  
Your Electronic Sales Force

Think how much more product you could sell if you could personally deliver your sales message at every vending machine location. Samsung vending solution touch screen displays make it possible.

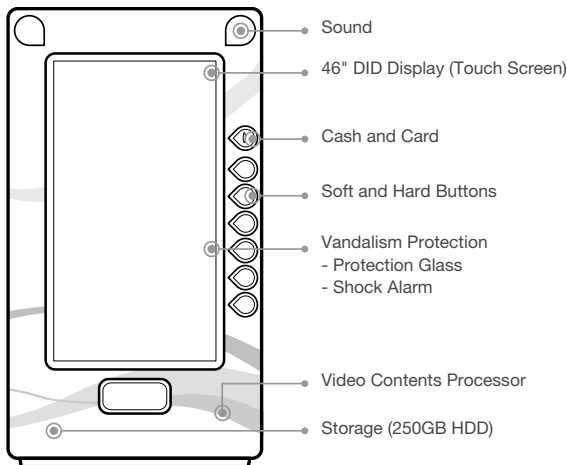
## Increased Possibilities

With Samsung vending machine displays, you have an opportunity to deliver a sales message. With an incorporated sales message, you can demonstrate more advanced products, and sell higher-margin products like MP3 players, cell phones and digital cameras. Advertising messages selling third-party products and services can also be incorporated, resulting in an additional revenue stream.



## Touch Screen Functionality

Your message can be interactive. Samsung vending machine displays incorporate touch screen functionality, inviting immediate customer response to your message.



## Samsung DID Panel

Samsung vending machine displays incorporate our proprietary DID panels. Featuring innovative cooling technologies, these advanced displays offer you the advantage of longer hours of operation.

## Built-in Speakers

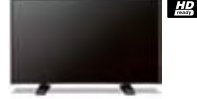
Messages should be seen, as well as heard. Built-in speakers add another level of appeal to your sales messages, and another way to attract attention.

## UVending Kit Package

Type	Item	Supply
Hardware	Panel	Basic Kit Assembly
	Main and Network Board	
	Mechanical Kit	
	Touch Screen	
	Protection Glass	
	Speaker, Camera, HDD, Bluetooth, Wi-Fi, Shock Sensor	
Software	Samsung Media Platform	Basic Kit Assembly
	Speaker, Camera, HDD, Bluetooth, Wi-Fi, Shock Sensor I/F	
	Vending Machine I/F	



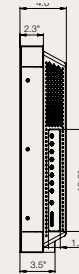
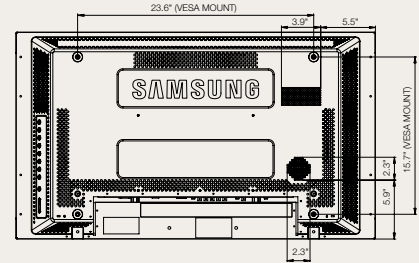
# UXn-M



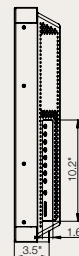
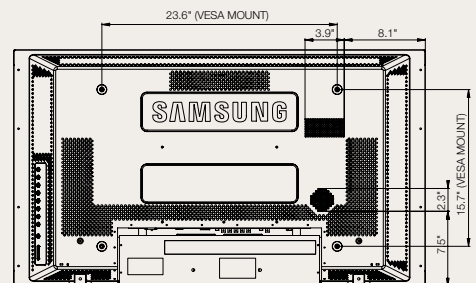
Series	400UXn-M	460UXn-M
<b>LCD Panel</b>		
Screen Size	40"	46"
Native Resolution	1366 x 768	1366 x 768
Supporting Resolution (from PC)	640x350@70Hz, 640x480@60Hz, 720x400@70Hz, 640x480@67Hz, 832x624@75Hz, 1152x870@75Hz, 640x480@73Hz, 75Hz, 800x600@56Hz, 60Hz, 72Hz, 75Hz, 1024x768@60Hz, 70Hz, 75Hz, 1152x864@75Hz, 1280x960@60Hz, 1280x1024@60Hz, 75Hz, 1360x768@60Hz	640x350@70Hz, 640x480@60Hz, 720x400@70Hz, 640x480@67Hz, 832x624@75Hz, 1152x870@75Hz, 640x480@73Hz, 75Hz, 800x600@56Hz, 60Hz, 72Hz, 75Hz, 1024x768@60Hz, 70Hz, 75Hz, 1152x864@75Hz, 1280x960@60Hz, 1280x1024@60Hz, 75Hz, 1360x768@60Hz
Brightness (typ.)	700 cd/m <sup>2</sup>	700 cd/m <sup>2</sup>
Contrast Ratio (Typ./Dynamic)	2000:1 / 5000:1	2000:1 / 5000:1
Response Time	8ms	8ms
Viewing Angle (H/V)	178°/178°	178°/178°
<b>MTBF</b>		
MTBF	50,000 hrs	50,000 hrs
<b>PC Connectivity</b>		
VGA 15-pin D-Sub In	■	■
BNC In/Out	■/■	■/■
DVI-D	■	■
<b>Video Connectivity</b>		
HDMI	■	■
Component In/Out	■/■	■/■
CVBS (AV) In/Out	■/■	■/■
S-Video In/Out	■/■	■/■
<b>TV Tuner</b>		
CI slot (x 1)	□	□
ANT In (x 1)	□	□
<b>Audio Connectivity</b>		
DVI/PC/BNC Audio In/Out (Mini Stereo 3.5mm L-R x 1/ x 1)	■/□	■/□
Component Audio In/Out (RCA x 1/ x1)	■/□	■/□
CVBS (AV) Audio In/Out (Mini Stereo 3.5mm L-R x 1/ x 1)	■/■	■/■
External Speaker Out (L-R x 2)	■	■
Integrated Speakers	□	□
<b>Network Connectivity</b>		
RS232C In/Out (x 1/ x 1)	■/■	■/■
Remote In/Out (x 1/ x 1)	■/■	■/■
VGA 15-pin D-Sub Out (x 1)	□	□
USB 2.0 (x3) (only network model)	■	■
LAN (x 1) (only network model)	■	■
Built-in PC (only network model)	■	■
Embedded S/W (only network model)	■ MagicInfo Pro-Extension	■ MagicInfo Pro-Extension
DTV SBB (SetBack Box) Option (SBB-DT)	□	□
Network SBB (SetBack Box) Option (SBB-NT) (only non-network model)	□	□
<b>Mechanical Specs</b>		
Bezel Width	11 mm	12.5 mm
Dimension (w/o stand) (W x H x D)	36.0 x 20.7 x 4.6"	41.3 x 23.7 x 4.6"
Dimension (w/stand) (W x H x D)	36.0 x 23.0 x 12.2"	41.3 x 26.1 x 12.2"
Dimension (packaging) (W x H x D)	40.0 x 25.7 x 11.8"	45.5 x 28.9 x 12.8"
Weight (set/package)	53.1 / 61.9 lbs.	63.9 / 73.9 lbs.
Cabinet Color	Matte Black	Matte Black
Wall Mount	600 x 400 mm	600 x 400 mm
<b>Optional Accessories</b>		
Speakers	N/A	N/A
Wall Mount	WMN-5770D	WMN-5770D
Stand	STN-L3257D	STN-L3257D
<b>Warranty</b>		
On-site Parts & Labor	3 Years	3 Years
<b>Green Management</b>		
Emission Standard	EMC	EMC
RoHS Compliant	■	■
Energy Star	■	■
Product Recyclability	CCFL backlight contains mercury, please dispose of properly	CCFL backlight contains mercury, please dispose of properly
Packaging Recyclability	Packing materials recyclable	Packing materials recyclable

■ Available □ Not Available

## 400UX(n)-M



## 460UX(n)-M



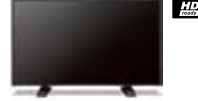


# UTn-M

Series		460UTn-M
<b>LCD Panel</b>		
Screen Size	46"	
Native Resolution	1920 x 1080	
Supporting Resolution (from PC)	640x350@70Hz, 640x480@60Hz, 720x400@70Hz, 640x480@67Hz, 832x624@75Hz, 1152x870@75Hz, 640x480@73Hz, 75Hz, 800x600@56Hz, 60Hz, 72Hz, 75Hz, 848x480@60Hz, 1024x768@60Hz, 70Hz, 75Hz, 1152x864@75Hz, 1280x768@60Hz, 1280x960@60Hz, 1280x1024@60Hz, 1280x1024@75Hz, 1360x768@60Hz, 1600x1200@60Hz, 1920x1080@60Hz	
Brightness (typ.)	700 cd/m <sup>2</sup>	
Contrast Ratio (Typ./Dynamic)	3000:1 (typical)	
Response Time	8ms	
Viewing Angle (H/V)	178°/178°	
<b>MTBF</b>		
MTBF	50,000 hrs	
<b>PC Connectivity</b>		
VGA 15-pin D-Sub In	■	
BNC In/Out	■ / ■	
DVI-D	■	
<b>Video Connectivity</b>		
HDMI	■	
Component In/Out	□ / □	
CVBS (AV) In/Out	■ / ■	
S-Video In/Out	□ / □	
<b>TV Tuner</b>		
CI slot (x 1)	□	
ANT In (x 1)	□	
<b>Audio Connectivity</b>		
DVI/PC/BNC Audio In/Out (Mini Stereo 3.5mm L-R x 1/ x 1)	■ / □	
Component Audio In/Out (RCA x 1/ x1)	■ / □	
CVBS (AV) Audio In/Out (Mini Stereo 3.5mm L-R x 1/ x 1)	■ / ■	
External Speaker Out (L-R x 2)	■	
Integrated Speakers	□	
<b>Network Connectivity</b>		
RS232C In/Out (x 1/ x 1)	■ / ■	
Remote In/Out (x 1/ x 1)	■ / ■	
VGA 15-pin D-Sub Out (x 1)	□	
USB 2.0 (x3) (only network model)	■	
LAN (x 1) (only network model)	■	
Built-in PC (only network model)	■	
Embedded S/W (only network model)	■ MagicInfo Pro-Extension	
DTV SBB (SetBack Box) Option (SBB-DT)	■	
Network SBB (SetBack Box) Option (SBB-NT) (only non-network model)	□	
<b>Mechanical Specs</b>		
Bezel Width	12.5 mm	
Dimension (w/o stand) (W x H x D)	41.3 x 23.7 x 4.6"	
Dimension (w/stand) (W x H x D)	41.3 x 26.1 x 12.2"	
Dimension (packaging) (W x H x D)	45.5 x 28.9 x 12.8"	
Weight (set/package)	63.9 / 73.9 lbs.	
Cabinet Color	Matte Black	
Wall Mount	600 x 400 mm	
<b>Optional Accessories</b>		
Speakers	N/A	
Wall Mount	WMN-5770D	
Stand	STN-L3257D	
<b>Warranty</b>		
On-site Parts & Labor	3 Years	
<b>Green Management</b>		
Emission Standard	EMC	
RoHS Compliant	■	
Energy Star	■	
Product Recyclability	CCFL backlight contains mercury, please dispose of properly	
Packaging Recyclability	Packing materials recyclable	



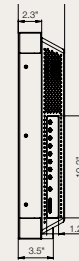
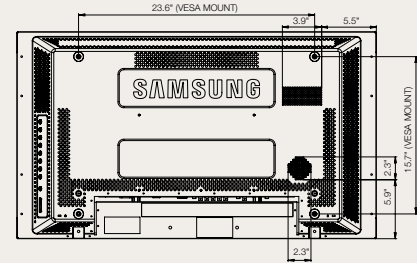
# UXn-UD



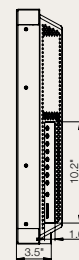
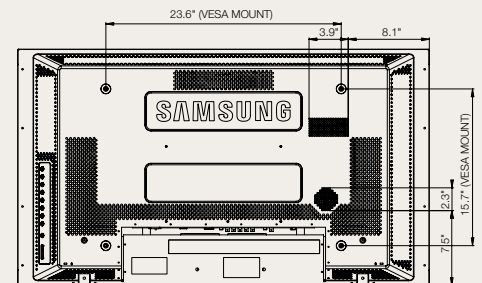
Series	400UXn-UD	460UXn-UD
<b>LCD Panel</b>		
Screen Size	40"	46"
Native Resolution	1366 x 768	1366 x 768
Supporting Resolution (from PC)	640x350@70Hz, 640x480@60Hz, 720x400@70Hz, 640x480@67Hz, 832x624@75Hz, 1152x870@75Hz, 640x480@73Hz, 75Hz, 800x600@56Hz, 60Hz, 72Hz, 75Hz, 1024x768@60Hz, 70Hz, 75Hz, 1152x864@75Hz, 1280x960@60Hz, 1280x1024@60Hz, 75Hz, 1360x768@60Hz	640x350@70Hz, 640x480@60Hz, 720x400@70Hz, 640x480@67Hz, 832x624@75Hz, 1152x870@75Hz, 640x480@73Hz, 75Hz, 800x600@56Hz, 60Hz, 72Hz, 75Hz, 1024x768@60Hz, 70Hz, 75Hz, 1152x864@75Hz, 1280x960@60Hz, 1280x1024@60Hz, 75Hz, 1360x768@60Hz
Brightness (typ.)	700 cd/m <sup>2</sup>	700 cd/m <sup>2</sup>
Contrast Ratio (Typ./Dynamic)	2000:1 / 5000:1	2000:1 / 5000:1
Response Time	8ms	8ms
Viewing Angle (H/V)	178°/178°	178°/178°
<b>MTBF</b>		
MTBF	50,000 hrs	50,000 hrs
<b>PC Connectivity</b>		
VGA 15-pin D-Sub In	■	■
BNC In/Out	■ / ■	■ / ■
DVI-D	■	■
<b>Video Connectivity</b>		
HDMI	■	■
Component In/Out	■ / ■	■ / ■
CVBS (AV) In/Out	■ / ■	■ / ■
S-Video In/Out	■ / ■	■ / ■
<b>TV Tuner</b>		
CI slot (x 1)	□	□
ANT In (x 1)	□	□
<b>Audio Connectivity</b>		
DVI/PC/BNC Audio In/Out (Mini Stereo 3.5mm L-R x 1/ x 1)	■ / □	■ / □
Component Audio In/Out (RCA x 1/ x1)	■ / □	■ / □
CVBS (AV) Audio In/Out (Mini Stereo 3.5mm L-R x 1/ x 1)	■ / ■	■ / ■
External Speaker Out (L-R x 2)	■	■
Integrated Speakers	□	□
<b>Network Connectivity</b>		
RS232C In/Out (x 1/ x 1)	■ / ■	■ / ■
Remote In/Out (x 1/ x 1)	■ / ■	■ / ■
VGA 15-pin D-Sub Out (x 1)	□	□
USB 2.0 (x3) (only network model)	■	■
LAN (x 1) (only network model)	■	■
Built-in PC (only network model)	■	■
Embedded S/W (only network model)	■ Samsung UD and MagicInfo Pro-Extension	■ Samsung UD and MagicInfo Pro-Extension
DTV SBB (SetBack Box) Option (SBB-DT)	□	□
Network SBB (SetBack Box) Option (SBB-NT) (only non-network model)	□	□
<b>Mechanical Specs</b>		
Bezel Width	11 mm	12.5 mm
Dimension (w/o stand) (W x H x D)	36.0 x 20.7 x 4.6"	41.3 x 23.7 x 4.6"
Dimension (w/stand) (W x H x D)	36.0 x 23.0 x 12.2"	41.3 x 26.1 x 12.2"
Dimension (packaging) (W x H x D)	40.0 x 25.7 x 11.8"	45.5 x 28.9 x 12.8"
Weight (set/package)	47.4 / 61.7 lbs	65.0 / 81.6 lbs
Cabinet Color	Matte Black	Matte Black
Wall Mount	600 x 400 mm	600 x 400 mm
<b>Optional Accessories</b>		
Speakers	N/A	N/A
Wall Mount	WMN-5770D	WMN-5770D
Stand	STN-L3257D	STN-L3257D
<b>Warranty</b>		
On-site Parts & Labor	3 Years	3 Years
<b>Green Management</b>		
Emission Standard	EMC	EMC
RoHS Compliant	■	■
Energy Star	■	■
Product Recyclability	CCFL backlight contains mercury, please dispose of properly	CCFL backlight contains mercury, please dispose of properly
Packaging Recyclability	Packing materials recyclable	Packing materials recyclable

■ Available □ Not Available

## 400UX(n)-UD



## 460UX(n)-UD

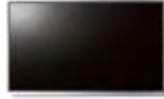


# UVending

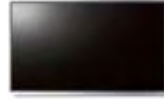
Series	460i
<b>LCD Panel</b>	
Screen Size	46"
Native Resolution	1366 x 768
Supporting Resolution (from PC)	640x350@70Hz, 640x480@60Hz, 720x400@70Hz, 640x480@67Hz, 832x624@75Hz, 1152x870@75Hz, 640x480@73Hz, 75Hz, 800x600@56Hz, 60Hz, 72Hz, 75Hz, 1024x768@60Hz, 70Hz, 75Hz, 1152x864@75Hz, 1280x960@60Hz, 1280x1024@60Hz, 75Hz, 1360x768@60Hz
Brightness (typ.)	616 cd/m <sup>2</sup>
Contrast Ratio (Typ./Dynamic)	3000:1 (typical)
Response Time	8ms
Viewing Angle (H/V)	178°/178°
<b>MTBF</b>	
MTBF	50,000 hrs
<b>PC Connectivity</b>	
VGA 15-pin D-Sub In	■
BNC In/Out	■ / ■
DVI-D	■
<b>Video Connectivity</b>	
HDMI	■
Component In/Out	■ / ■
CVBS (AV) In/Out	■ / ■
S-Video In/Out	■ / ■
<b>TV Tuner</b>	
CI slot (x 1)	□
ANT In (x 1)	□
<b>Audio Connectivity</b>	
DVI/PC/BNC Audio In/Out (Mini Stereo 3.5mm L-R x 1/ x 1)	■ / □
Component Audio In/Out (RCA x 1/ x1)	■ / □
CVBS (AV) Audio In/Out (Mini Stereo 3.5mm L-R x 1/ x 1)	■ / ■
External Speaker Out (L-R x 2)	■
Integrated Speakers	□
<b>Network Connectivity</b>	
RS232C In/Out (x 1/ x 1)	■ / ■
Remote In/Out (x 1/ x 1)	■ / ■
VGA 15-pin D-Sub Out (x 1)	□
USB 2.0 (x3) (only network model)	■
LAN (x 1) (only network model)	■
Built-in PC (only network model)	■
Embedded S/W (only network model)	■ MagicInfo i
DTV SBB (SetBack Box) Option (SBB-DT)	■
Network SBB (SetBack Box) Option (SBB-NT) (only non-network model)	□
<b>Mechanical Specs</b>	
Bezel Width	31 mm (23 mm top bezel)
Dimension (w/o stand) (W x H x D)	43.9 x 26.1 x 6.2"
Dimension (w/stand) (W x H x D)	N/A
Dimension (packaging) (W x H x D)	49.3 x 31.6 x 14.4"
Weight (set/package)	81.6 / 99.2 lbs
Cabinet Color	Matte Black
Wall Mount	N/A
<b>Warranty</b>	
On-site Parts & Labor	3 Years
<b>Green Management</b>	
Emission Standard	EMC
RoHS Compliant	■
Energy Star	■
Product Recyclability	CCFL backlight contains mercury, please dispose of properly
Packaging Recyclability	Packing materials recyclable



# DR/DRn



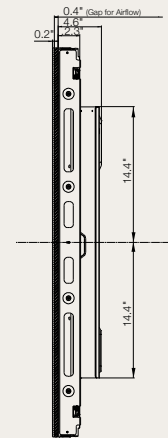
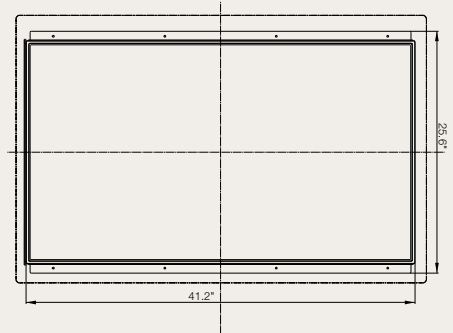
HD  
Ready



HD  
Ready

Series	460DR	460DRn
<b>LCD Panel</b>		
Screen Size	46"	46"
Native Resolution	1366 x 768	1366 x 768
Supporting Resolution (from PC)	640x350@70Hz, 640x480@60Hz, 720x400@70Hz, 640x480@67Hz, 832x624@75Hz, 1152x870@75Hz, 640x480@73Hz, 75Hz, 800x600@56Hz, 60Hz, 72Hz, 75Hz, 1024x768@60Hz, 70Hz, 75Hz, 1152x864@75Hz, 1280x960@60Hz, 1280x1024@60Hz, 75Hz, 1360x768@60Hz	640x350@70Hz, 640x480@60Hz, 720x400@70Hz, 640x480@67Hz, 832x624@75Hz, 1152x870@75Hz, 640x480@73Hz, 75Hz, 800x600@56Hz, 60Hz, 72Hz, 75Hz, 1024x768@60Hz, 70Hz, 75Hz, 1152x864@75Hz, 1280x960@60Hz, 1280x1024@60Hz, 75Hz, 1360x768@60Hz
Brightness (typ.)	1500 cd/m <sup>2</sup>	1500 cd/m <sup>2</sup>
Contrast Ratio (Typ./Dynamic)	3500:1	3500:1
Response Time	8ms	8ms
Viewing Angle (H/V)	178°/178°	178°/178°
<b>MTBF</b>		
MTBF	50,000 hrs	50,000 hrs
<b>PC Connectivity</b>		
VGA 15-pin D-Sub In	■	■
BNC In/Out	■/■	■/■
DVI-D	■	■
<b>Video Connectivity</b>		
HDMI	■	■
Component In/Out	■/■	■/■
CVBS (AV) In/Out	■/■	■/■
S-Video In/Out	■/■	■/■
<b>TV Tuner</b>		
CI slot (x 1)	□	□
ANT In (x 1)	□	□
<b>Audio Connectivity</b>		
DVI/PC/BNC Audio In/Out (Mini Stereo 3.5mm L-R x 1/ x 1)	■/□	■/□
Component Audio In/Out (RCA x 1/ x1)	■/□	■/□
CVBS (AV) Audio In/Out (Mini Stereo 3.5mm L-R x 1/ x 1)	■/■	■/■
External Speaker Out (L-R x 2)	■	■
Integrated Speakers	□	□
<b>Network Connectivity</b>		
RS232C In/Out (x 1/ x 1)	■/■	■/■
Remote In/Out (x 1/ x 1)	□/□	□/□
VGA 15-pin D-Sub Out (x 1)	□	■
USB 2.0 (x3) (only network model)	□	■
LAN (x 1) (only network model)	□	■
Built-in PC (only network model)	□	■
Embedded S/W (only network model)	□	■ MagicInfo Pro-Extension
DTV SBB (SetBack Box) Option (SBB-DT)	□	□
Network SBB (SetBack Box) Option (SBB-NT) (only non-network model)	□	□
<b>Mechanical Specs</b>		
Bezel Width	11 mm (only panel)	11 mm (only panel)
Dimension (w/o stand) (W x H x D)	25.6 x 41.2 x 4.59"	25.6 x 41.2 x 4.59"
Dimension (w/stand) (W x H x D)	N/A	N/A
Dimension (packaging) (W x H x D)	45.9 x 30.2 x 11.4"	45.9 x 30.2 x 11.4"
Weight (set/package)	57.3 / 67.6 lbs.	57.3 / 67.6 lbs.
Cabinet Color	N/A	N/A
Wall Mount	N/A	N/A
<b>Optional Accessories</b>		
Speakers	N/A	N/A
Wall Mount	N/A	N/A
Stand	N/A	N/A
<b>Warranty</b>		
On-site Parts & Labor	3 Years	3 Years
<b>Green Management</b>		
Emission Standard	EMC	EMC
RoHS Compliant	■	■
Energy Star	■	■
Product Recyclability	CCFL backlight contains mercury, please dispose of properly	CCFL backlight contains mercury, please dispose of properly
Packaging Recyclability	Packing materials recyclable	Packing materials recyclable

## 460DR(n)





## DRn-A

Series		460DRn-A <small>HD</small>
<b>LCD Panel</b>		
Screen Size	46"	
Native Resolution	1366 x 768	
Supporting Resolution (from PC)	640x350@70Hz, 640x480@60Hz, 720x400@70Hz, 640x480@67Hz, 832x624@75Hz, 1152x870@75Hz, 640x480@73Hz, 75Hz, 800x600@56Hz, 60Hz, 72Hz, 75Hz, 1024x768@60Hz, 70Hz, 75Hz, 1152x864@75Hz, 1280x960@60Hz, 1280x1024@60Hz, 75Hz, 1360x768@60Hz	
Brightness (typ.)	1500 cd/m <sup>2</sup>	
Contrast Ratio (Typ./Dynamic)	3500:1	
Response Time	8 ms	
Viewing Angle (H/V)	178°/178°	
<b>MTBF</b>		
MTBF	50,000 hrs	
<b>PC Connectivity</b>		
VGA 15-pin D-Sub In	■	
BNC In/Out	■ / ■	
DVI-D	■	
<b>Video Connectivity</b>		
HDMI	■	
Component In/Out	■ / ■	
CVBS (AV) In/Out	■ / ■	
S-Video In/Out	■ / ■	
<b>TV Tuner</b>		
CI slot (x 1)	□	
ANT In (x 1)	□	
<b>Audio Connectivity</b>		
DVI/PC/BNC Audio In/Out (Mini Stereo 3.5mm L-R x 1/ x 1)	■ / □	
Component Audio In/Out (RCA x 1/ x1)	■ / □	
CVBS (AV) Audio In/Out (Mini Stereo 3.5mm L-R x 1/ x 1)	■ / ■	
External Speaker Out (L-R x 2)	■	
Integrated Speakers	□	
<b>Network Connectivity</b>		
RS232C In/Out (x 1/ x 1)	■ / ■	
Remote In/Out (x 1/ x 1)	□ / □	
VGA 15-pin D-Sub Out (x 1)	■	
USB 2.0 (x3) (only network model)	■	
LAN (x 1) (only network model)	■	
Built-in PC (only network model)	■	
Embedded S/W (only network model)	■ MagicInfo Pro-Extension	
DTV SBB (SetBack Box) Option (SBB-DT)	□	
Network SBB (SetBack Box) Option (SBB-NT) (only non-network model)	□	
<b>Mechanical Specs</b>		
Bezel Width	83 mm (housing)	
Dimension (w/o stand) (W x H x D)	29.1 x 78.0 x 9.51"	
Dimension (w/stand) (W x H x D)	29.1 x 78.0 x 17.1"	
Dimension (packaging) (W x H x D)	TBD	
Weight (set/package)	TBD	
Cabinet Color	Matte Black	
Wall Mount	N/A	
<b>Optional Accessories</b>		
Speakers	N/A	
Wall Mount	N/A	
Stand	N/A	
<b>Warranty</b>		
On-site Parts & Labor	3 Years	
<b>Green Management</b>		
Emission Standard	EMC	
RoHS Compliant	■	
Energy Star	■	
Product Recyclability	CCFL backlight contains mercury, please dispose of properly	
Packaging Recyclability	Packing materials recyclable	



Specifications



Series	320TSn	400TSn	460TSn	700TSn
<b>LCD Panel</b>				
Screen Size	32"	40"	46"	70"
Native Resolution	1366 x 768	1366 x 768	1920 x 1080	1920 x 1080
Supporting Resolution (from PC)	640x350@70Hz, 640x480@60Hz, 720x400@70Hz, 640x480@67Hz, 832x624@75Hz, 1152x870@75Hz, 640x480@73Hz, 75Hz, 800x600@56Hz, 60Hz, 72Hz, 75Hz, 1024x768@60Hz, 70Hz, 75Hz, 1152x864@75Hz, 1280x960@60Hz, 1280x1024@60Hz, 75Hz, 1360x768@60Hz	640x350@70Hz, 640x480@60Hz, 720x400@70Hz, 640x480@67Hz, 832x624@75Hz, 1152x870@75Hz, 640x480@73Hz, 75Hz, 800x600@56Hz, 60Hz, 72Hz, 75Hz, 1024x768@60Hz, 70Hz, 75Hz, 1152x864@75Hz, 1280x960@60Hz, 1280x1024@60Hz, 75Hz, 1360x768@60Hz	640x350@70Hz, 640x480@60Hz, 720x400@70Hz, 640x480@67Hz, 832x624@75Hz, 1152x870@75Hz, 640x480@73Hz, 75Hz, 800x600@56Hz, 60Hz, 72Hz, 75Hz, 1024x768@60Hz, 70Hz, 75Hz, 1152x864@75Hz, 1280x960@60Hz, 1280x1024@60Hz, 1360x768@60Hz, 1600x1200@60Hz, 1920x1080@60Hz	640x350@70Hz, 640x480@60Hz, 720x400@70Hz, 640x480@67Hz, 832x624@75Hz, 1152x870@75Hz, 640x480@73Hz, 75Hz, 800x600@56Hz, 60Hz, 72Hz, 75Hz, 1024x768@60Hz, 70Hz, 75Hz, 1152x864@75Hz, 1280x960@60Hz, 1280x1024@60Hz, 1360x768@60Hz, 1600x1200@60Hz, 1920x1080@60Hz
Brightness (typ.)	400 cd/m <sup>2</sup>	400 cd/m <sup>2</sup>	420 cd/m <sup>2</sup>	500 cd/m <sup>2</sup>
Contrast Ratio (Typ./Dynamic)	3000:1 / 4000:1	3000:1 / 4000:1	3000:1 / 4000:1	700:1 / 5000:1
Response Time	8ms	8ms	8ms	8ms
Viewing Angle (H/V)	158°/158°	158°/158°	158°/158°	158°/158°
<b>MTBF</b>				
MTBF	50,000 hrs	50,000 hrs	50,000 hrs	50,000 hrs
<b>PC Connectivity</b>				
VGA 15-pin D-Sub In	■	■	■	■
BNC In/Out	□/□	□/□	□/□	■/■
DVI-D	■	■	■	■
<b>Video Connectivity</b>				
HDMI	■	■	■	■
Component In/Out	□/□	□/□	□/□	■/■
CVBS (AV) In/Out	■/■	■/■	■/■	■/■
S-Video In/Out	□/□	□/□	□/□	■/■
<b>TV Tuner</b>				
CI slot (x 1)	□	□	□	□
ANT In (x 1)	□	□	□	□
<b>Audio Connectivity</b>				
DVI/PC/BNC Audio In/Out (Mini Stereo 3.5mm L-R x 1/ x 1)	■/□	■/□	■/□	■/□
Component Audio In/Out (RCA x 1/ x1)	□/□	□/□	□/□	■/□
CVBS (AV) Audio In/Out (Mini Stereo 3.5mm L-R x 1/ x 1)	■/■	■/■	■/■	■/■
External Speaker Out (L-R x 2)	□	□	□	□
Integrated Speakers	■ (5W x 2)	■ (10W x 2)	■ (10W x 2)	■ (10W x 2)
<b>Network Connectivity</b>				
RS232C In/Out (x 1/ x 1)	■/■	■/■	■/■	■/■
Remote In/Out (x 1/ x 1)	□/□	□/□	□/□	□/□
VGA 15-pin D-Sub Out (x 1)	■	■	■	■
USB 2.0 (x3) (only network model)	■	■	■	■
LAN (x 1) (only network model)	■	■	■	■
Built-in PC (only network model)	■	■	■	■
Embedded S/W (only network model)	■ MagicInfo Pro-Extension	■ MagicInfo Pro-Extension	■ MagicInfo Pro-Extension	■ MagicInfo Pro-Extension
DTV SBB (SetBack Box) Option (SBB-DT)	□	□	□	□
Network SBB (SetBack Box) Option (SBB-NT) (only non-network model)	□	□	□	□
<b>Mechanical Specs</b>				
Bezel Width	41.3 mm	41.3 mm	40.3 mm	55.2 mm
Dimension (w/o stand) (W x H x D)	30.7 x 19.0 x 4.28"	38.3 x 23.0 x 5.04"	43.5 x 25.9 x 5.29"	66.5 x 38.9 x 6.06"
Dimension (w/stand) (W x H x D)	30.7 x 21.5 x 10.0"	38.3 x 25.4 x 12.2"	43.5 x 28.3 x 12.2"	66.5 x 65.7 x 19.7"
Dimension (packaging) (W x H x D)	35.4 x 23.6 x 12.2"	42.7 x 27.7 x 12.2"	48.0 x 30.7 x 12.2"	71.9 x 48.1 x 24.0"
Weight (set/package)	TBD	63.0 / 74.1 lbs.	75.6 / 88.2 lbs.	269 / 326 lbs.
Cabinet Color	Matte Black	Matte Black	Matte Black	Matte Black
Wall Mount	600 x 400 mm	600 x 400 mm	600 x 400 mm	800 x 400 mm
<b>Optional Accessories</b>				
Speakers	N/A	N/A	N/A	N/A
Wall Mount	WMN-5770D	WMN-5770D	WMN-5770D	WMN7070D
Stand	STN-L3257D	STN-L3257D	STN-L3257D	Included
<b>Warranty</b>				
On-site Parts & Labor	3 Years	3 Years	3 Years	3 Years
<b>Green Management</b>				
Emission Standard	EMC	EMC	EMC	EMC
RoHS Compliant	■	■	■	■
Energy Star	■	■	■	■
Product Recyclability	CCFL backlight contains mercury, please dispose of properly	CCFL backlight contains mercury, please dispose of properly	CCFL backlight contains mercury, please dispose of properly	CCFL backlight contains mercury, please dispose of properly
Packaging Recyclability	Packing materials recyclable	Packing materials recyclable	Packing materials recyclable	Packing materials recyclable

■ Available □ Not Available



### 820TSn

82"
1920 x 1080
640x350@70Hz, 640x480@60Hz, 720x400@70Hz, 640x480@67Hz, 832x624@75Hz, 1152x870@75Hz, 640x480@73Hz, 75Hz, 800x600@56Hz, 60Hz, 72Hz, 75Hz, 848x480@60Hz, 1024x768@60Hz, 70Hz, 75Hz, 1152x864@75Hz, 1280x768@60Hz, 1280x960@60Hz, 1280x1024@60Hz, 1280x1024@75Hz, 1360x768@60Hz, 1600x1200@60Hz, 1920x1080@60Hz
500 cd/m <sup>2</sup>
700:1 / 5000:1
8ms
158°/158°

50,000 hrs
■
■ / ■
■
■
■ / ■
■ / ■
■ / ■
□
□

■ / □
■ / □
■ / ■
□
■ (10W x 2)

■ / ■
□ / □
■
■
■
■ MagicInfo Pro-Extension
□
□

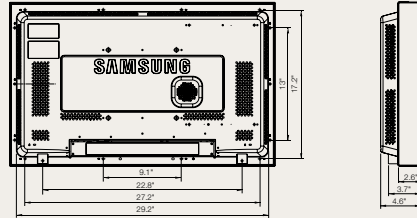
53.3 mm
75.4 x 44.3 x 6.10"
75.4 x 48.4 x 19.7"
82.5 x 53.5 x 24.3"
309 / 386 lbs.
Matte Black
1400 x 800 mm / 900 x 800 mm

N/A
WMN8270D
Included

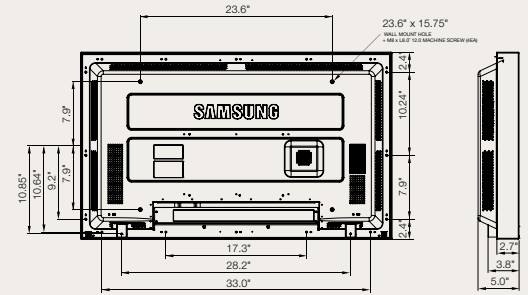
3 Years
---------

EMC
■
■
CCFL backlight contains mercury, please dispose of properly
Packing materials recyclable

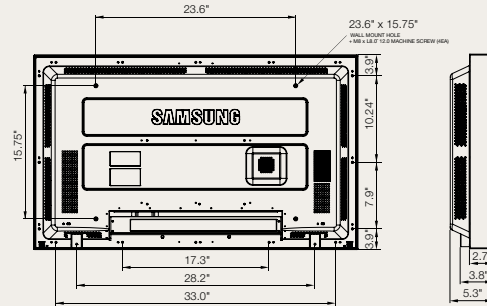
### 320TSn



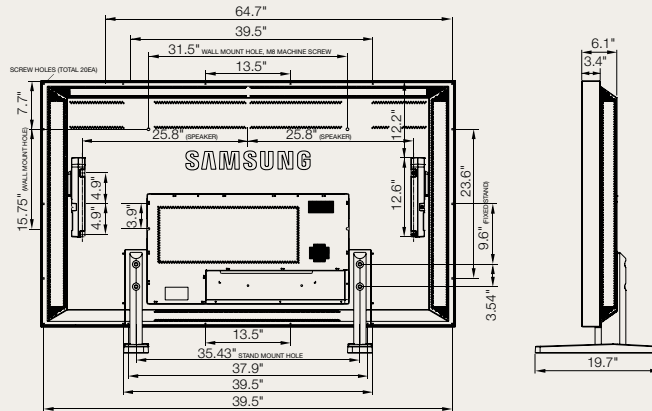
### 400TSn



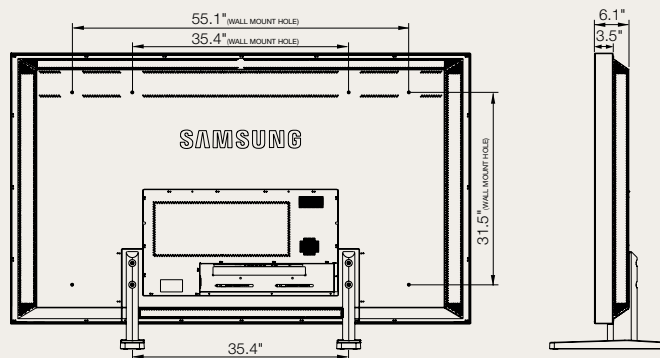
### 460TSn



### 700TSn



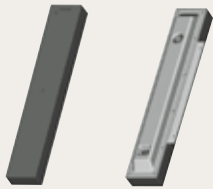
### 820TSn



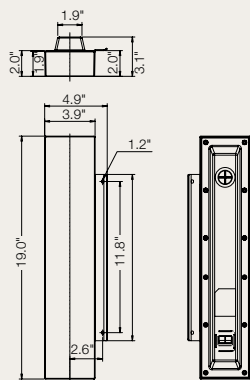
# Professional LCD Display Accessories

## Speakers

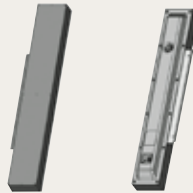
320PX



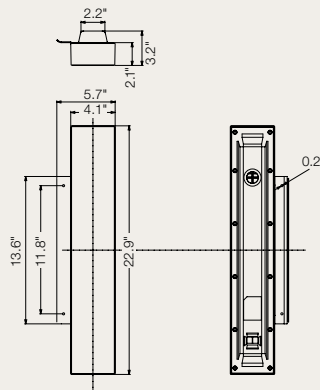
Product Name SP-L320PB(S)



400PX, 400PXn



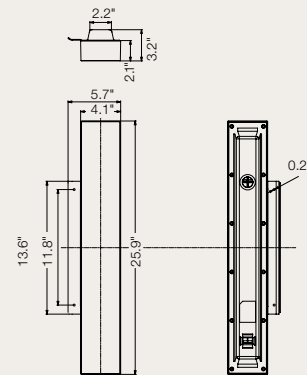
Product Name SP-L400PB(S)



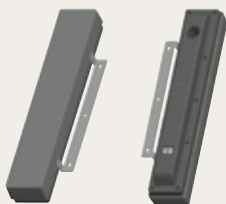
460PX, 460PXn



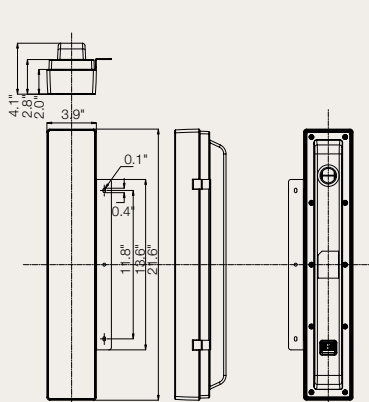
Product Name SP-L460PB(S)



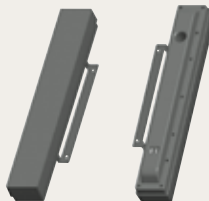
400DX, 400DXn



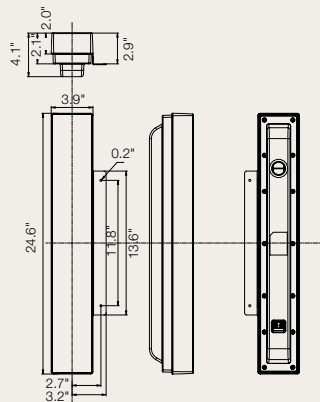
Product Name SP-L400DB(S)



460DX, 460DXn



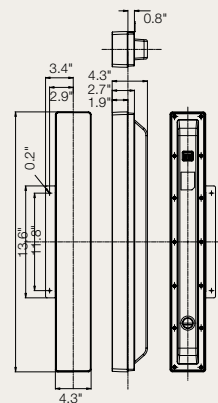
Product Name SP-L460DB(S)



570DX, 570DXn



Product Name SP-L570DB(S)









---

**[www.samsung.com/proav](http://www.samsung.com/proav)**

**1-866-SAM4BIZ**

©2008 Samsung Electronics America, Inc. Samsung is a registered mark of Samsung Electronics Corp., Ltd. Specifications and designs are subject to change without notice. Non-metric weights and measurements are approximate. All brand, product, service names and logos are trademarks and/or registered trademarks of their respective manufacturers and companies. Simulated screen images. Printed in USA. LFD-LCDLBRO-Dec08T

